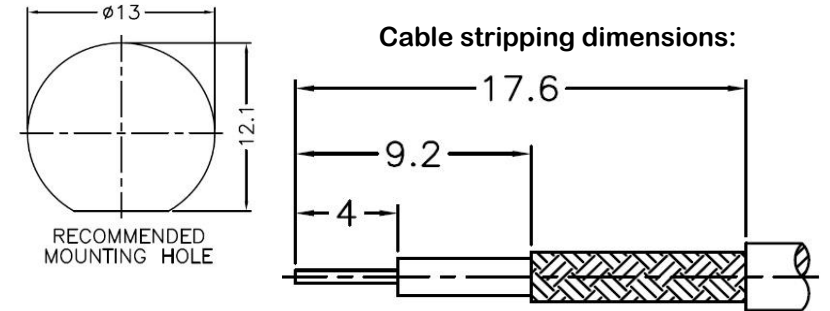
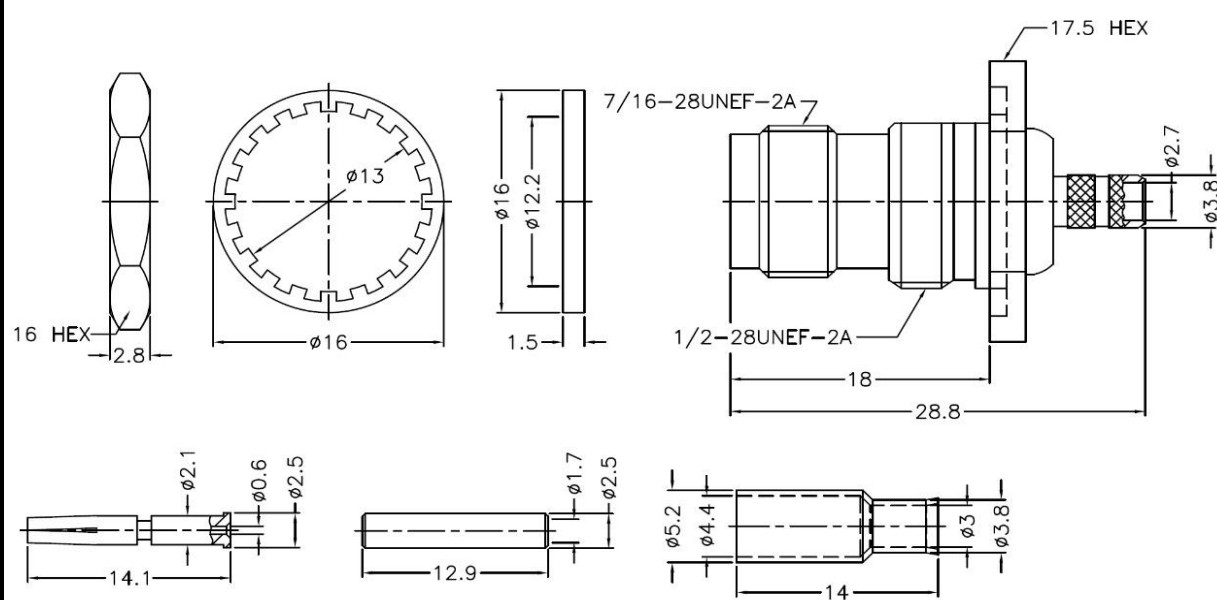


PRODUCT: TNC FEMALE CRIMP, BULKHEAD, STRAIGHT, 50 OHM, FOR RG-316, RG-174
PRODUCT CODE: E3500, Paratronic Oy

Description	Material	Note	General information	
Contact pin	Phosphor bronze	1	Dimensions in millimeters (mm), unless otherwise specified. RoHS compliant. Directive 2015/863 with exemption 6(c) Note, finish, plating thickness in micro-inches, μin (minimum): 1. Gold (3) over nickel (50) over copper (50) 2. Nickel (100) over copper (50) Hex crimp size: Ferrule 4.52 mm / 0.178", pin 1.72 mm / 0.068" or solder TNC connection IP67 when mated, IP40 unmated. Connector/panel IP67. Max panel thickness 3.5 mm	Impedance 50 ohm Frequency range DC - 6 GHz VSWR 1.30 max Insertion loss ≤ 0.3 dB Insulator resistance ≥ 5 G Ω Resistance, center contact ≤ 1.5 m Ω , outer c. ≤ 1 m Ω Test voltage 1500 V rms, working voltage 400 V rms Power handling ≤ 80 W @ 2 GHz
Insulator	POM	-		
Body	Brass	2		
Housing	Brass	2		
Ferrule	Brass	2		
Nut, washer	Brass	2		
Barrel	Brass	2		
Sleeve	POM	3		
Gasket	Silicone	-		



Title	Value
Drawing date	9.4.2024
Version	A
Website	www.paratronic.fi