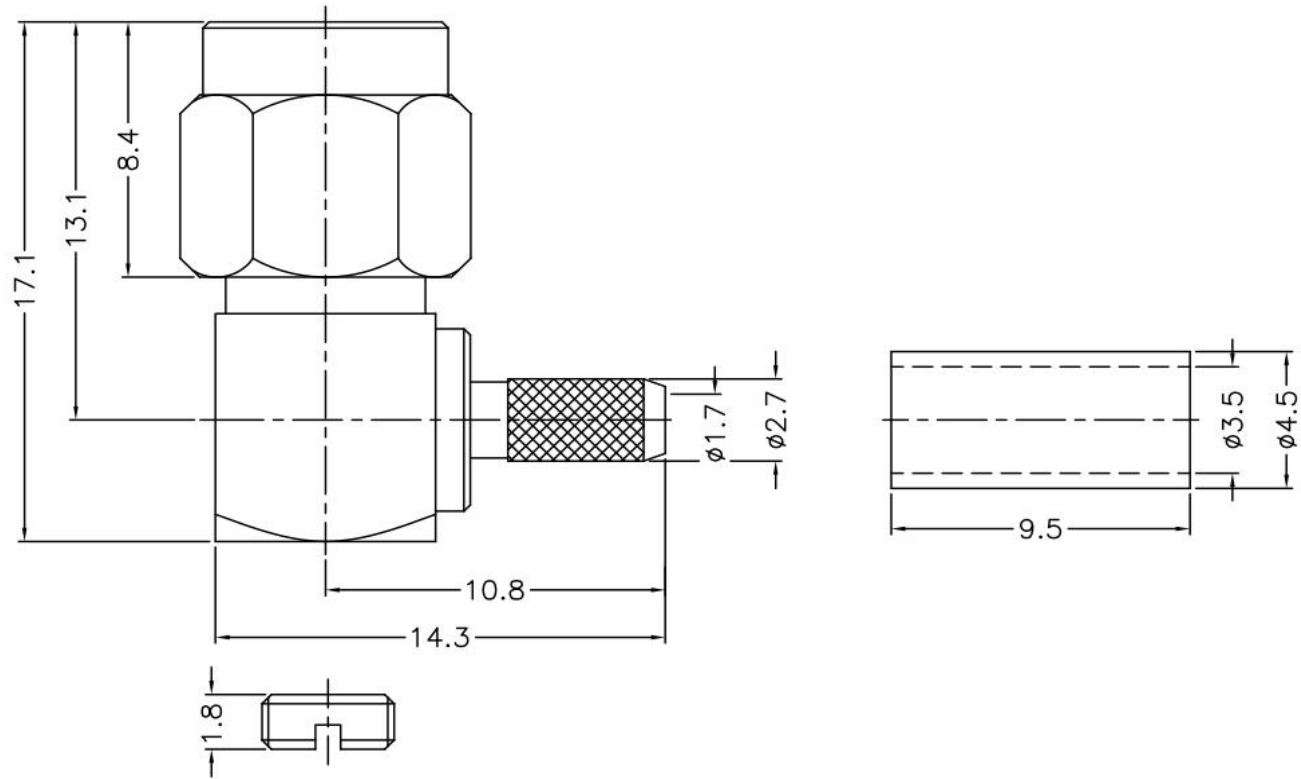


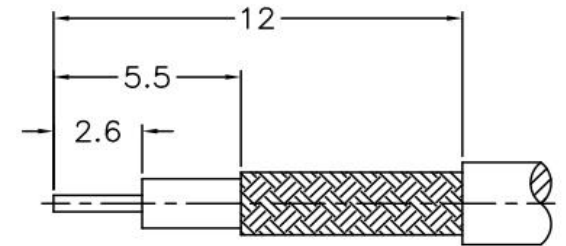
**PRODUCT: SMA MALE CRIMP RIGHT ANGLE, FOR RD-316, RGD-316, RG-316D**

**PRODUCT CODE: E3561, Paratronic Oy**

Description	Material	Note	General information	
Contact pin	Brass	1	Dimensions in millimeters (mm), unless otherwise specified. RoHS compliant. Directive 2015/863 with exemption 6(c) Note, finish, plating thickness in micro-inches, $\mu\text{in}$ (minimum): 1. Gold (3) over nickel (50) over copper (50) 2. Thin gold over nickel (50) over copper (50) 3. Passivated Hex crimp size: Ferrule 3.84 mm / 0.151", pin to solder IP40 mated and unmated	Impedance 50 ohm Frequency range DC - 6 GHz, VSWR max 1.35 Insertion loss $\leq 0.2$ dB Insulator resistance $\geq 5$ G $\Omega$ Resistance, center contact $\leq 3$ m $\Omega$ , outer c. $\leq 2$ m $\Omega$ Test voltage 1000 V rms, working voltage 480 V rms Power handling $\leq 200$ W @ 2 GHz
Insulator	PTFE	-		
Body	Brass	2		
Retainer ring	SUS 304	3		
Ferrule	Copper	2		
Shell	Brass	2		
Gasket	Silicone	-		
Cover	Brass	2		



Cable stripping dimensions:



Title	Value
Drawing date	28.2.2023
Version	A
Website	<a href="http://www.paratronic.fi">www.paratronic.fi</a>