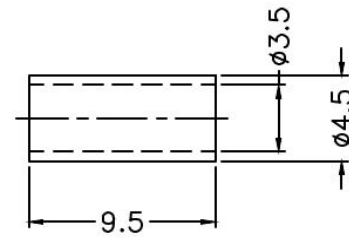
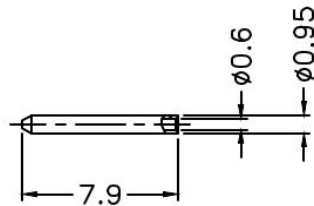
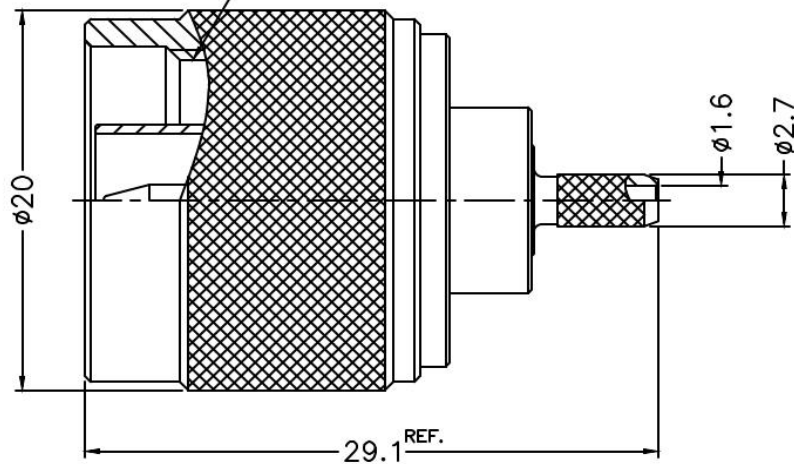


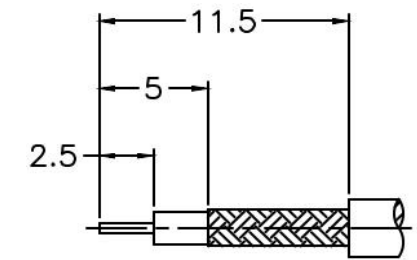
PRODUCT: N MALE CRIMP, STRAIGHT, 50 OHM, FOR RD-316, RGD-316, RG-316D
PRODUCT CODE: E3564, Paratronic Oy

Description	Material	Note	General information	
Contact pins	Brass	1	Dimensions in millimeters (mm), unless otherwise specified.	Impedance 50 ohm Frequency range DC - 6 GHz VSWR 1.20 max Insertion loss ≤ 0.3 dB Insulator resistance ≥ 5 G Ω Resistance, center contact ≤ 1.5 m Ω , outer c. ≤ 0.25 m Ω Test voltage 2500 V rms, working voltage 1400 V rms Power handling ≤ 700 W @ 2 GHz
Insulator	PTFE	-	RoHS compliant. Directive 2015/863 with exemption 6(c)	
Body, shell	Brass	2	Note, finish, plating thickness in micro-inches, μ in (minimum):	
Barrel	Brass	2	1. Gold (3) over nickel (50) over copper (50)	
Gasket	Silicone	-	2. Nickel (100) over copper (50)	
Ferrule	Copper	2	3. Passivated	
Retainer ring	SUS 304	3	Hex crimp size:	
			Ferrule 3.84 mm / 0.151", pin to solder or 0.7mm square crimp	
			IP40 mated and unmated	

5/8-24UNEF-2B



Cable stripping dimensions:



Title	Value
Drawing date	31.3.2023
Version	A
Website	www.paratronic.fi