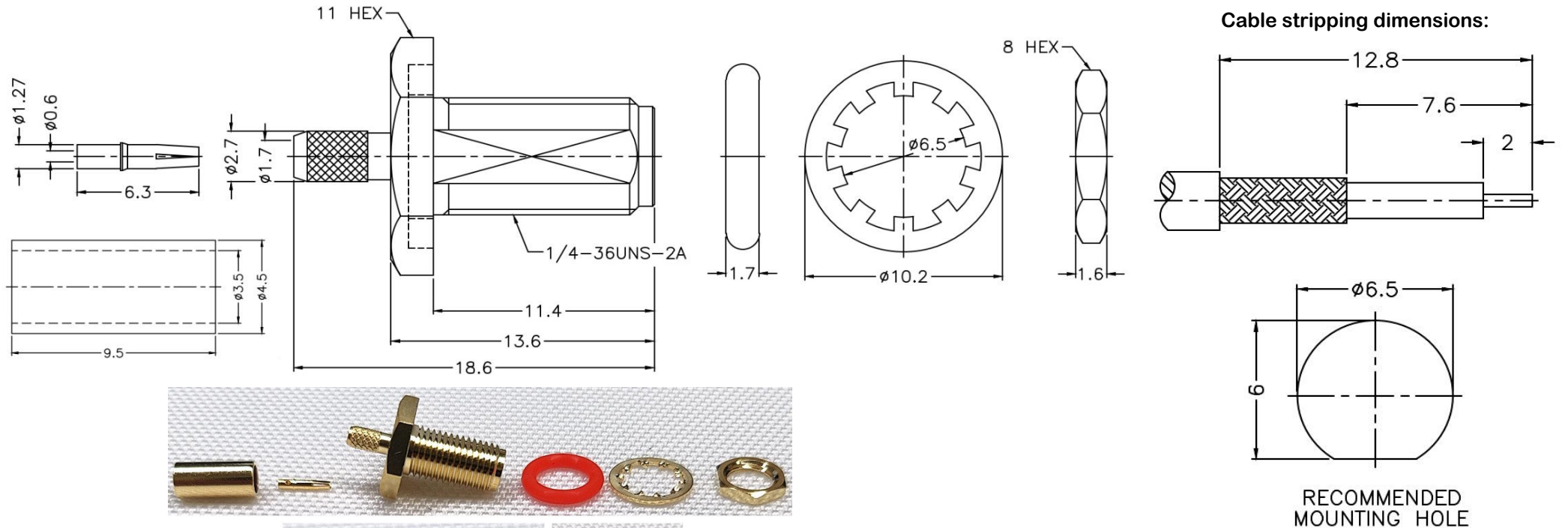


PRODUCT: SMA FEMALE CRIMP STRAIGHT BULKHEAD, IP67, FOR RD-316, RGD-316, RG-316D
PRODUCT CODE: E3567, Paratronic Oy

Description	Material	Note	General information	
Contact pin	Beryllium copper	1	Dimensions in millimeters (mm), unless otherwise specified. RoHS compliant. Directive 2015/863 with exemption 6(c) Note, finish, plating thickness in micro-inches, μin (minimum): 1. Gold (3) over nickel (50) over copper (50) 2. Thin gold over nickel (50) over copper (50) Hex crimp size: Ferrule 3.84mm (0.151"), pin to solder Panel mounting IP67. Max panel thickness 2.4 mm	Impedance 50 ohm Frequency range DC - 12 GHz VSWR @ 6 GHz max 1.25, @ 12 GHz max 1.4 Insertion loss ≤ 0.2 dB Insulator resistance ≥ 5 G Ω Resistance, center contact ≤ 3 m Ω , outer c. ≤ 2 m Ω Test voltage 1000 V rms, working voltage 480 V rms Power handling ≤ 200 W @ 2 GHz
Insulator	PTFE	-		
Body	Brass	2		
Ring	Brass	2		
Ferrule	Copper	2		
Hex nut	Brass	2		
Lock washer	Brass	2		
Gasket	Silicone	-		



Title	Value
Drawing date	31.8.2023
Version	A
Website	www.paratronic.fi