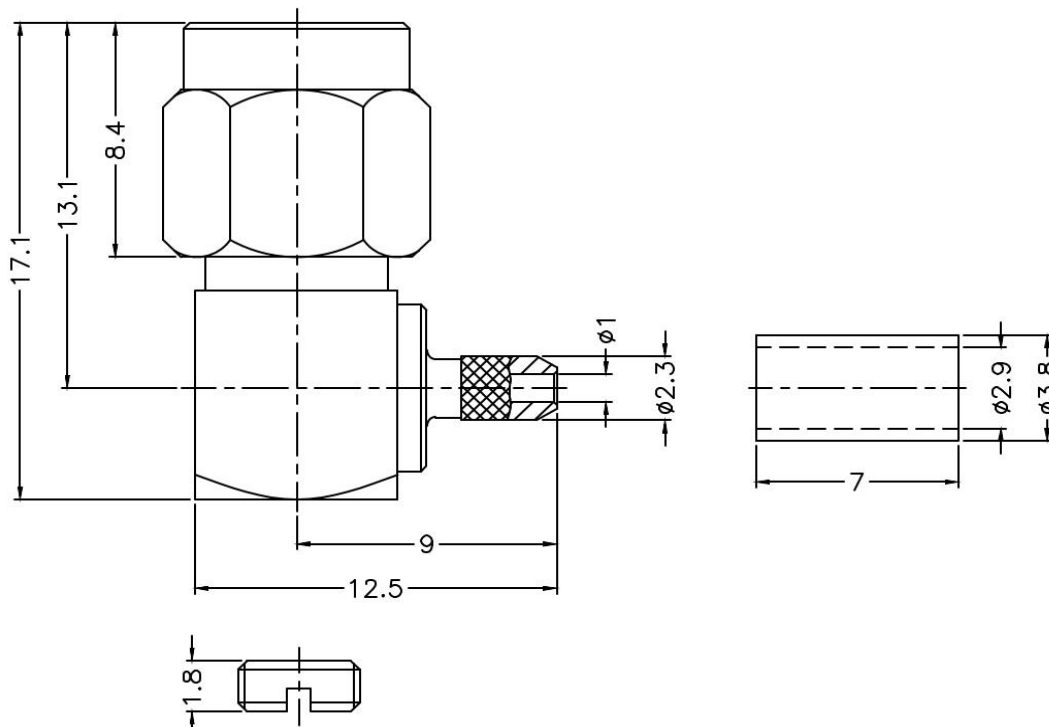
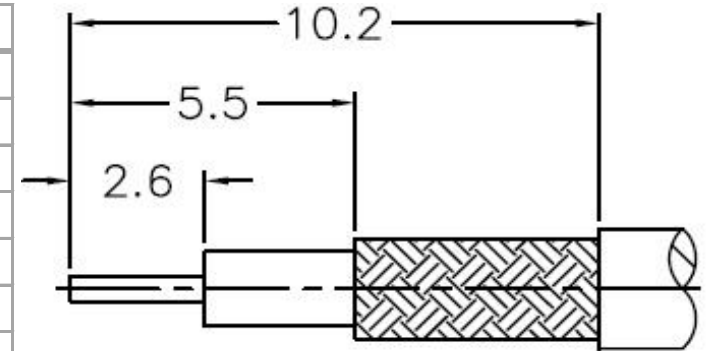


PRODUCT: SMA MALE RIGHT ANGLE CRIMP, FOR RG-178, RG-196
PRODUCT CODE: E3616, Paratronic Oy

Description	Material	Note	General information
Ferrule	Copper	1	Dimensions in millimeters (mm), unless otherwise specified.
Pin	Brass	2	RoHS compliant. Directive 2015/863 with exemption 6(c)
Insulator	PTFE	-	Note, finish, plating thickness in micro-inches, μin (minimum):
Cover	Brass	1	1. Thin gold over nickel (50) over copper (50)
Gasket	Silicone	-	2. Gold (3) over nickel (50) over copper (50)
Retainer ring	SUS 304	Passivated	Hex crimp size:
Body	Brass	1	Ferrule 3.25 mm / 0.128", pin to solder
			IP40 mated and unmated



Title	Value
Drawing date	21.9.2022
Version	A
Website	www.paratronic.fi