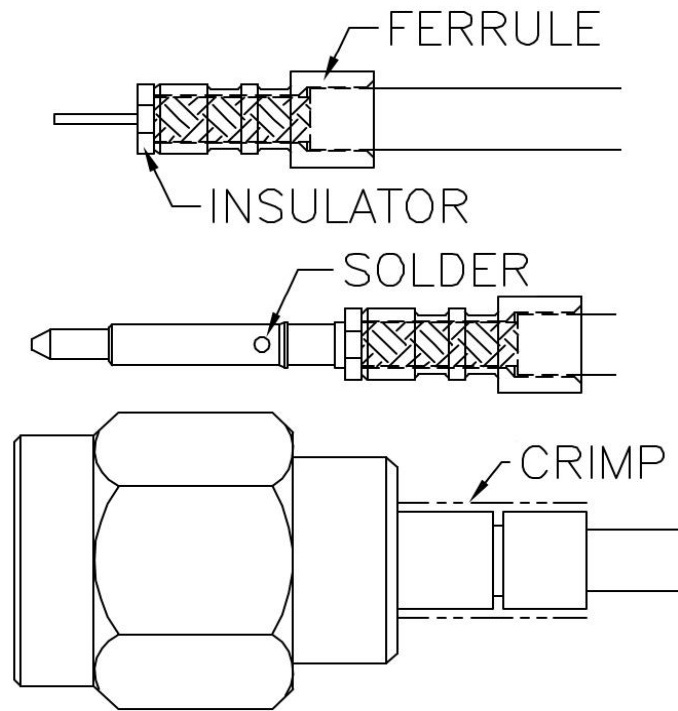
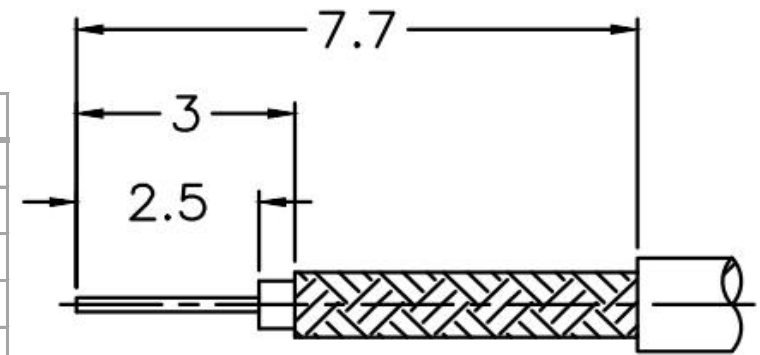
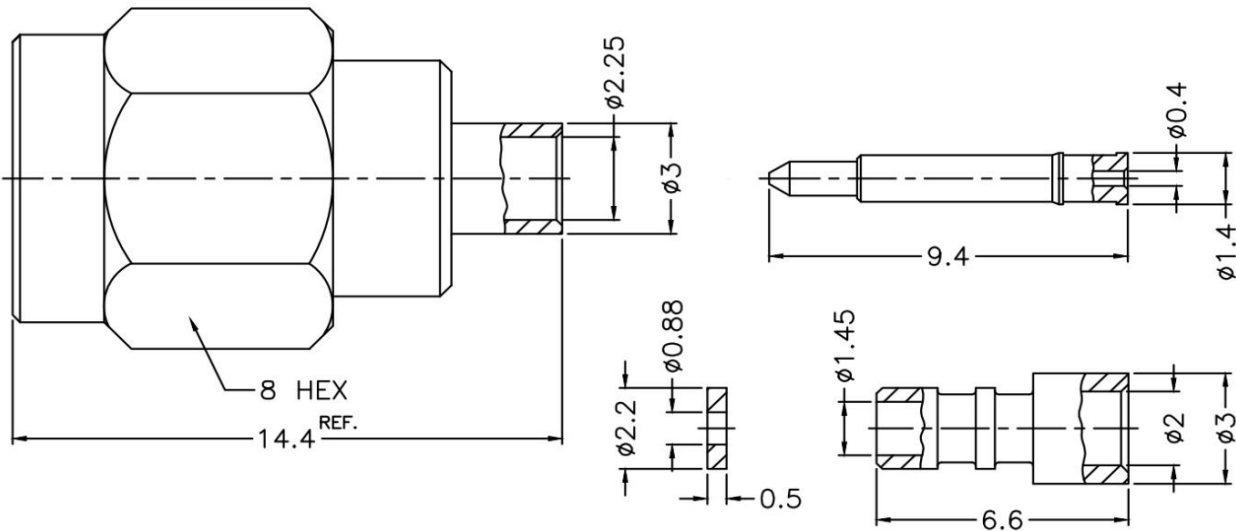


**PRODUCT: SMA MALE STRAIGHT CRIMP, FOR RG-178, RG-196**  
**PRODUCT CODE: E3617, Paratronic Oy**

Description	Material	Note	General information
Ferrule	Brass	1	Dimensions in millimeters (mm), unless otherwise specified.
Pin	Brass	2	RoHS compliant. Directive 2015/863 with exemption 6(c)
Insulators	PTFE	-	Note, finish, plating thickness in micro-inches, $\mu\text{in}$ (minimum):
Body	Brass	1	1. Thin gold over nickel (50) over copper (50)
Gasket	Silicone	-	2. Gold (3) over nickel (50) over copper (50)
Retainer ring	SUS 304	1	Hex crimp size:
			Ferrule 2.54 mm / 0.100", pin to solder
			IP40 mated and unmated



Title	Value
Drawing date	15.2.2022
Version	A
Website	<a href="http://www.paratronic.fi">www.paratronic.fi</a>