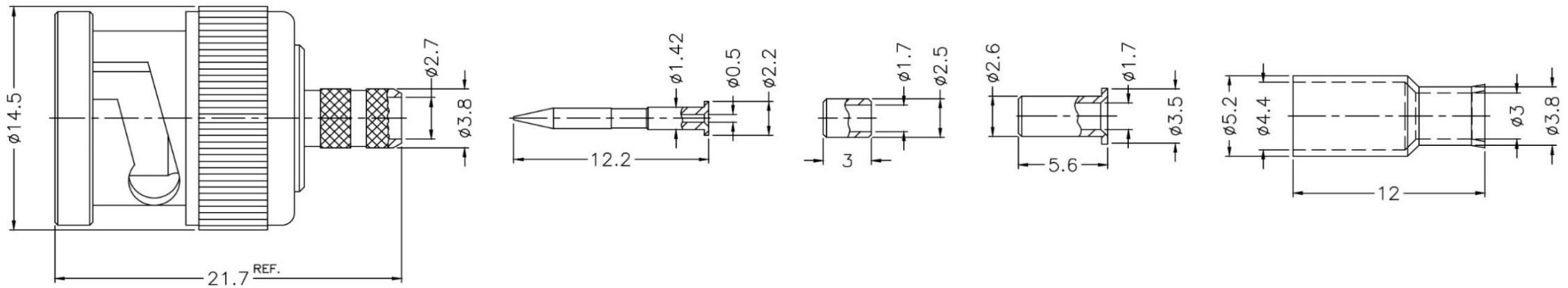
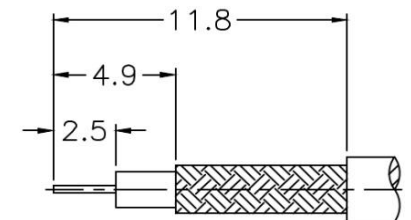


PRODUCT: BNC MALE STRAIGHT CRIMP, RG-179, RG-187
PRODUCT CODE: E3650, Paratronic Oy

Description	Material	Note	General information	
Contact pin	Brass	1	Dimensions in millimeters (mm), unless otherwise specified. RoHS compliant. Directive 2015/863 with exemption 6(c) Note, finish, plating thickness in micro-inches, μin (minimum): 1. Gold (3) over nickel (50) over copper (50) 2. Nickel (100) over copper (50) Hex crimp size: Ferrule 4.52 mm / 0.178", pin to solder or square crimp 1.09 mm / 0.043" IP40 mated and unmated	Impedance 75 ohm Frequency range DC - 4 GHz VSWR 1.35 max Insertion loss ≤ 0.3 dB Insulator resistance ≥ 5 G Ω Resistance, center contact ≤ 1.5 m Ω , outer c. ≤ 1 m Ω Test voltage 1500 V rms, working voltage 400 V rms Power handling ≤ 80 W @ 2 GHz
Insulator	TPX	-		
Body, shell	Brass	2		
Spring	SK5	2		
Ferrule	Brass	2		
Washer	Brass	2		
Retainer ring	Brass	2		
Sleeve	PTFE	-		
Gasket	Silicone	-		
Spacer	Brass	-		



Cable stripping dimensions:



Title	Value
Drawing date	20.2.2023
Version	A
Website	www.paratronic.fi