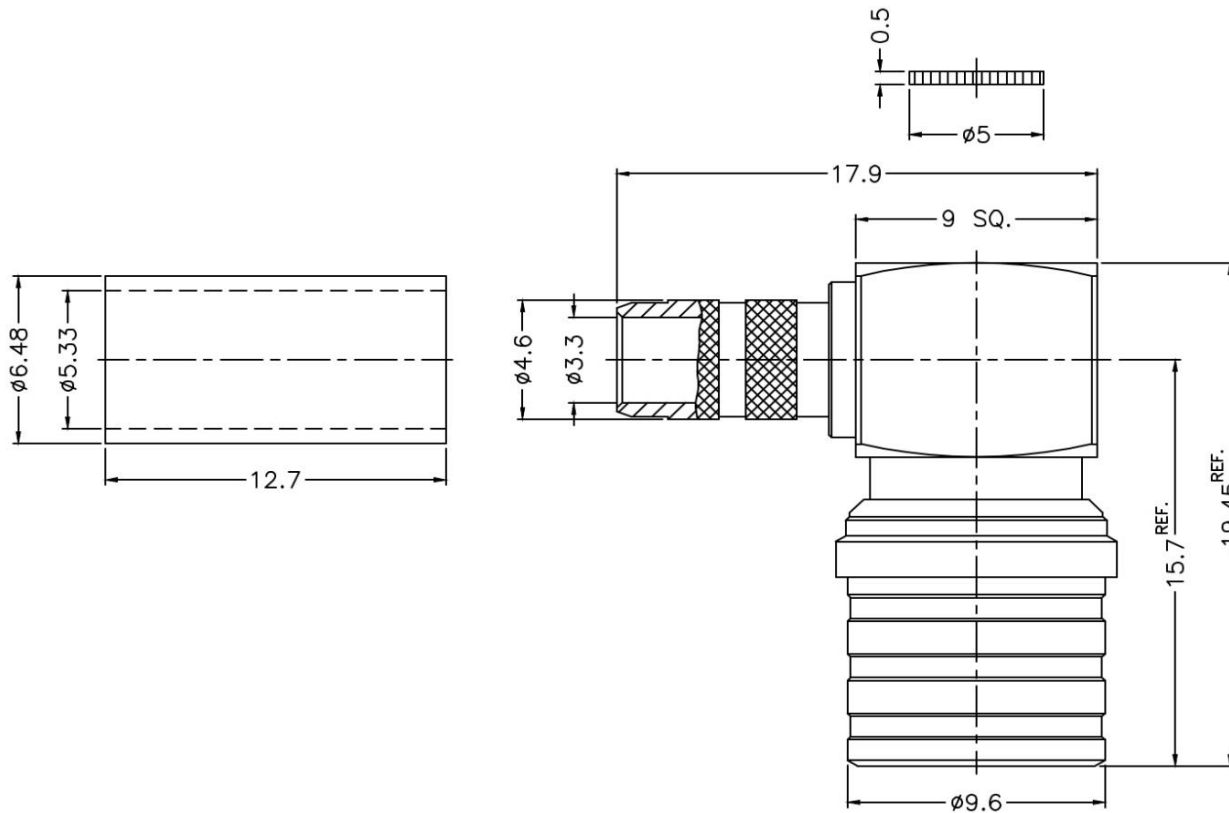
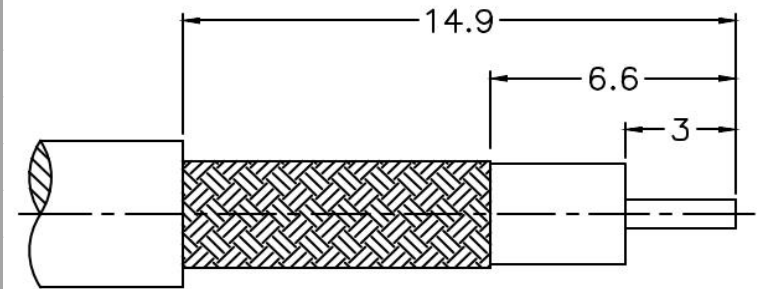


**PRODUCT: QMA MALE CRIMP, RIGHT ANGLE, 50 OHM, FOR AIRCELL 5, LMR-200**  
**PRODUCT CODE: E3711, Paratronic Oy**

Description	Material	Note	General information
Ferrule	Copper	1	Dimensions in millimeters (mm), unless otherwise specified.
Pin	Brass	2	RoHS compliant. Directive 2015/863 with exemption 6(c)
Insulator	PTFE	-	Note, finish, plating thickness in micro-inches, $\mu$ in (minimum):
Body/Shell	Brass	1	1. Albaloy (Copper-Tin-Zinc) (80)
Cover	Brass	1	2. Gold (3) over copper (50)
Outer contact	Phosphor bronze	1	Hex crimp size:
			Ferrule 5.41 mm / 0.213", pin to solder
			IP40 mated and unmated



Title	Value
Drawing date	31.10.2022
Version	A
Website	<a href="http://www.paratronic.fi">www.paratronic.fi</a>