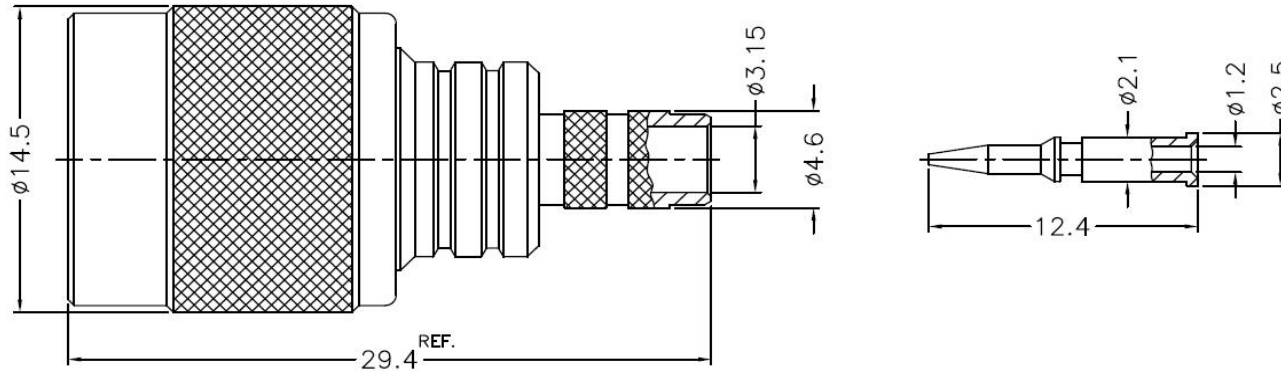
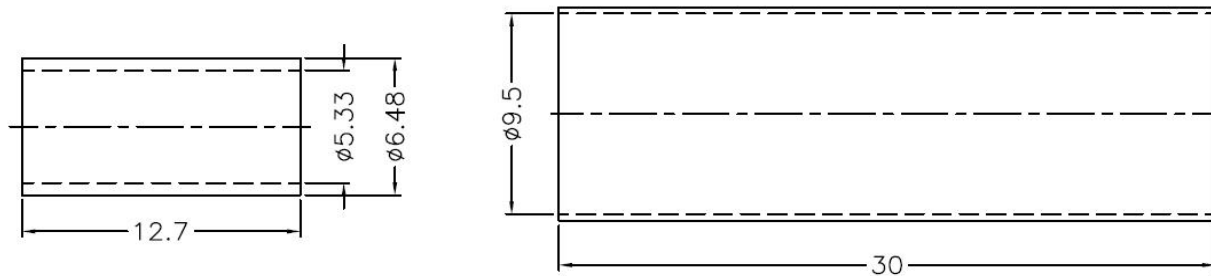
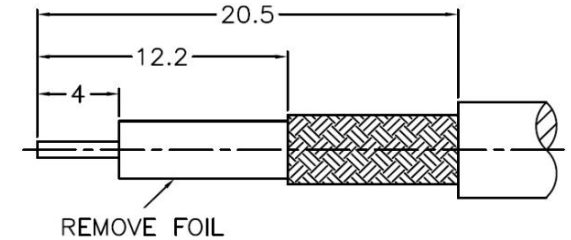


**PRODUCT: TNC MALE CRIMP, STRAIGHT, 50 OHM, FOR AIRCELL 5, LMR-200**  
**PRODUCT CODE: E3741, Paratronic Oy**

Description	Material	Note	General information	
Contact pin	Brass	1	Dimensions in millimeters (mm), unless otherwise specified.	Impedance 50 ohm Frequency range DC - 6 GHz VSWR 1.30 max Insertion loss $\leq 0.3$ dB Insulator resistance $\geq 5$ G $\Omega$ Resistance, center contact $\leq 1.5$ m $\Omega$ , outer c. $\leq 1$ m $\Omega$ Test voltage 1500 V rms, working voltage 500 V rms Power handling $\leq 80$ W @ 2 GHz
Insulator	POM	-	RoHS compliant. Directive 2015/863 with exemption 6(c)	
Body, shell	Brass	2	Note, finish, plating thickness in micro-inches, $\mu$ in (minimum):	
Washer	Brass	2	1. Gold (3) over nickel (50) over copper (50)	
Gasket	Silicone	-	2. Nickel (100) over copper (50)	
Ring	POM	-		
Ferrule	Copper	2	Hex crimp size:	
Heat shrink	With glue	-	Ferrule 5.41 mm / 0.213", pin 1.72 mm / 0.068" or solder	
Retainer ring	Brass	2	IP67 when mated, IP40 unmated	



**Cable stripping dimensions:**



Title	Value
Drawing date	28.2.2023
Version	A
Website	<a href="http://www.paratronic.fi">www.paratronic.fi</a>