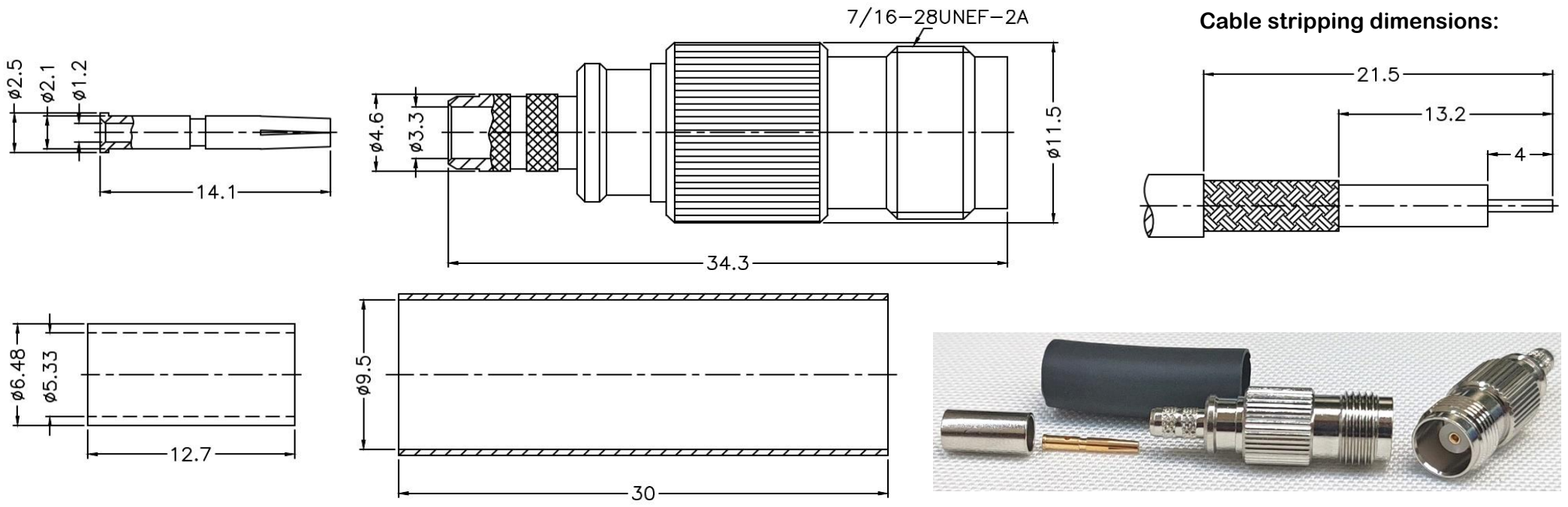


PRODUCT: TNC FEMALE CRIMP, STRAIGHT, 50 OHM, FOR AIRCELL 5, LMR-200
PRODUCT CODE: E3743, Paratronic Oy

| Description | Material | Note | General information | |
|-------------|-----------------|------|--|--|
| Contact pin | Phosphor bronze | 1 | Dimensions in millimeters (mm), unless otherwise specified. RoHS compliant. Directive 2015/863 with exemption 6(c) Note, finish, plating thickness in micro-inches, μin (minimum): 1. Gold (3) over nickel (50) over copper (50) 2. Nickel (100) over copper (50) Hex crimp size: Ferrule 5.41 mm / 0.213", pin 1.72 mm / 0.068" or solder IP67 when mated, IP40 unmated | Impedance 50 ohm Frequency range DC - 6 GHz VSWR 1.30 max Insertion loss ≤ 0.3 dB Insulator resistance ≥ 5 G Ω Resistance, center contact ≤ 1.5 m Ω , outer c. ≤ 1 m Ω Test voltage 1500 V rms, working voltage 400 V rms Power handling ≤ 80 W @ 2 GHz |
| Insulator | POM | - | | |
| Body | Brass | 2 | | |
| Lock ring | Brass | 2 | | |
| Ferrule | Copper | 2 | | |
| Heat shrink | With glue | - | | |
| | | | | |



| Title | Value |
|--------------|-------------------|
| Drawing date | 29.2.2024 |
| Version | A |
| Website | www.paratronic.fi |