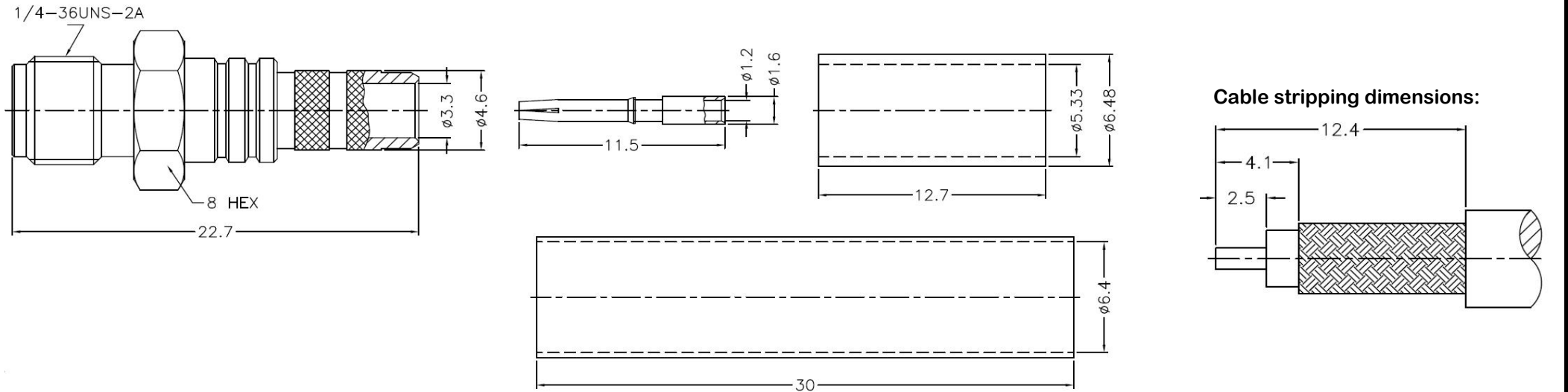


PRODUCT: SMA FEMALE CRIMP, FOR AIRCELL 5, LMR-200

PRODUCT CODE: E3751, Paratronic Oy

Description	Material	Note	General information	
Pin	Beryllium copper	2	Dimensions in millimeters (mm), unless otherwise specified. RoHS compliant. Directive 2015/863 with exemption 6(c) Note, finish, plating thickness in micro-inches, μin (minimum): 1. Thin gold over nickel (50) over copper (50) 2. Gold (3) over nickel (50) over copper (50) Hex crimp size: Ferrule 5.41 mm / 0.213", pin to solder IP67 when mated, IP40 unmated	Impedance 50 ohm Frequency range DC - 6 GHz, VSWR 1.25 max Insertion loss ≤ 0.2 dB Insulator resistance ≥ 5 G Ω Resistance, center contact ≤ 3 m Ω , outer contact ≤ 2 m Ω Test voltage 1000 V rms, working voltage 480 V rms Power handling ≤ 200 W @ 2 GHz RF-leakage -60 dB min
Ferrule	Copper	1		
Insulator	Teflon	-		
Body	Brass	1		
Heat shrink	With glue	-		

Version A > B, from batch W25/22, changed cable entry 3.15 > 3.3 mm



Title	Value
Drawing date	19.1.2023
Version	B
Website	www.paratronic.fi