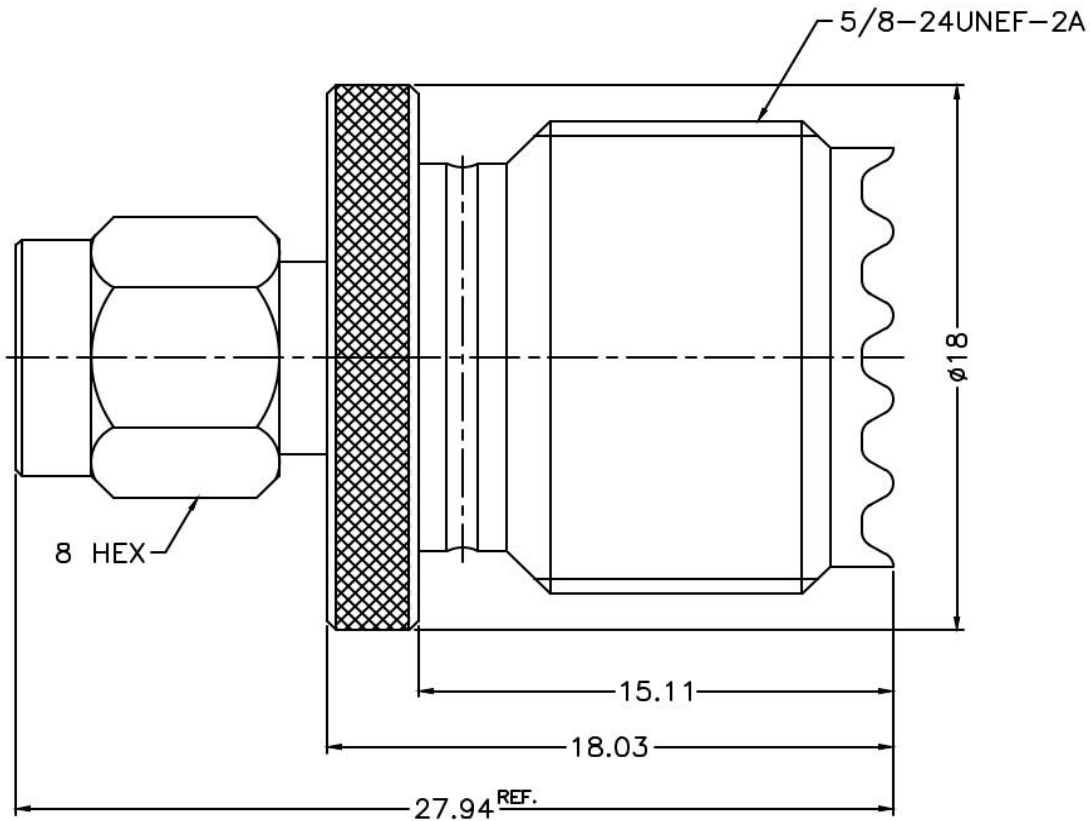


PRODUCT: SMA MALE TO UHF FEMALE ADAPTER

PRODUCT CODE: E3808, Paratronic Oy

Description	Material	Note	General information	
Contact pin	Brass	1	Dimensions in millimeters (mm), unless otherwise specified. RoHS compliant. Directive 2015/863 with exemption 6(c) Note, finish, plating thickness in micro-inches, μin (minimum): 1. Gold (3) over nickel (50) over copper (50) 2. Nickel (100) over copper (50)	Impedance not defined Frequency range DC - 300 MHz
Insulators	PTFE	-		
Body	Brass	2		
Shell	Brass	2		
Retainer ring	SUS 303	-		
Gasket	Silicone	-		



Title	Value
Drawing date	22.1.2023
Version	A
Website	www.paratronic.fi