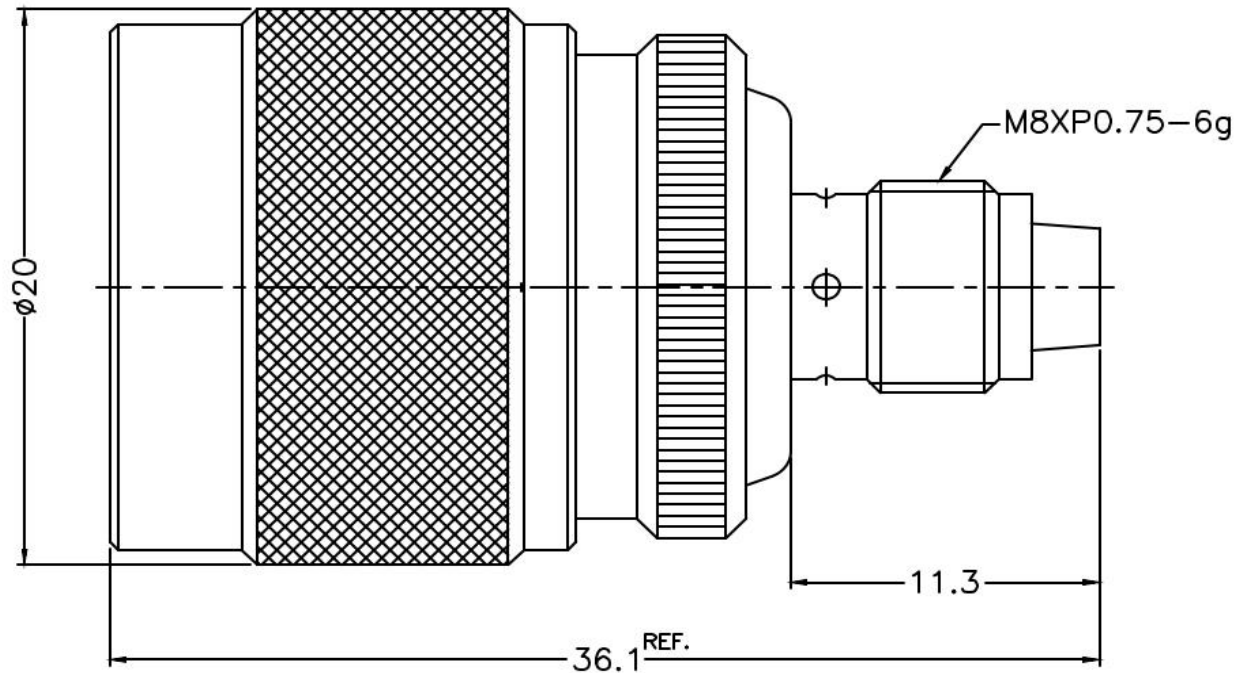


PRODUCT: N MALE TO FME FEMALE ADAPTER, 50 OHM

PRODUCT CODE: E3825, Paratronic Oy

Description	Material	Note	General information	
Contact pin	Brass	1	Dimensions in millimeters (mm), unless otherwise specified. RoHS compliant. Directive 2015/863 with exemption 6(c) Note, finish, plating thickness in micro-inches, μ in (minimum): 1. Gold (3) over nickel (50) over copper (50) 2. Nickel (100) over copper (50) 3. Passivated	Impedance 50 ohm Frequency range DC - 3 GHz VSWR 1.25 max Insertion loss \leq 0.3 dB Insulator resistance \geq 5 G Ω Resistance, center contact \leq 10 m Ω , outer c. \leq 5 m Ω Test voltage 1000 V rms, working voltage 500 V rms
Insulators	PTFE	-		
Body	Brass	2		
Shell	Brass	2		
Gasket	Silicone	-		
Retainer ring	SUS 304	3		



Title	Value
Drawing date	31.3.2023
Version	A
Website	www.paratronic.fi