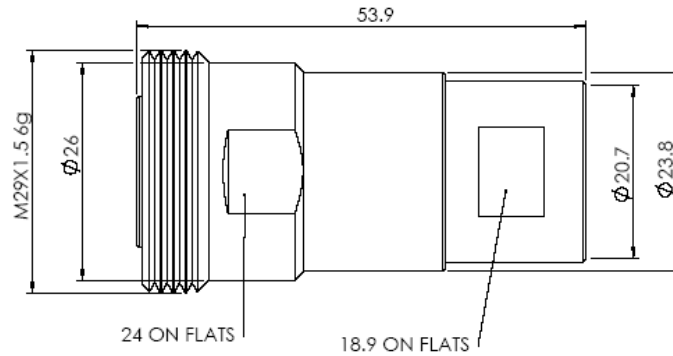


PRODUCT CODE: NKC 1012200.12

7-16 Female O-ring connectors for RF, RFA and RFX 1/2"-50 cables



Dimensions mm

TECHNICAL SPECIFICATIONS

Electrical Specifications

Impedance	50 Ω
Frequency range	DC - 3 GHz
VSWR	≤1.08
PIM3	≤-160dBc
Insertion loss (1GHz)	<0.05
Contact resistance	
inner contact	< 0.8 mΩ
outer contact	< 0.2 mΩ
Insulation resistance	> 10 GΩ
Power rating	1 KW@1GHz
Working voltage	< 2 kVeff/50 Hz

Mechanical Specifications

Weight [g]	112 g
Materials	
Spring contact	QBe2, Ag5 plated
Other metal parts	Brass, SnZn or Cu2Ni5 plated
Insulators	TPX
Gaskets	Silicon
Coupling Torque	20 Nm
Durability (mating cycles)	> 500

Standards	
Immersion test	IP68, IEC 529:1989, EN 60529
Mating interface	IEC 60169-4

Installation instructions	AFB7-8
----------------------------------	--------

Product marking	AFB7-8
------------------------	--------