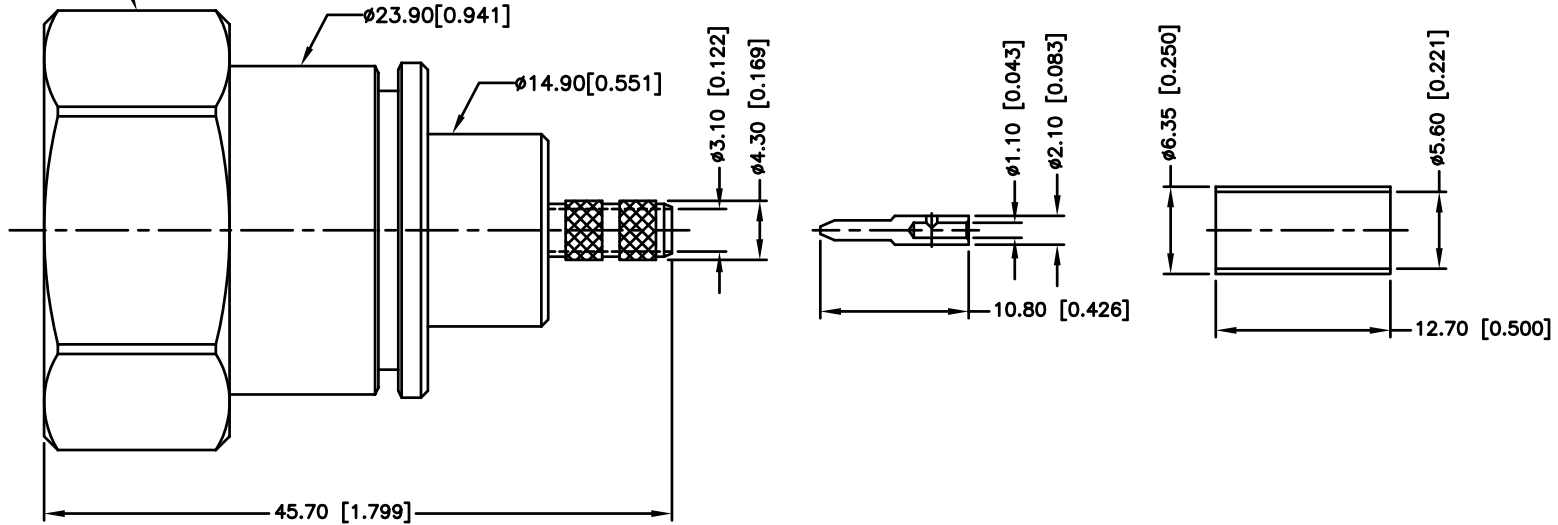


REV.	DATE	ECR NO	DESCRIPTION
A	12/29/00	--	MODIFY PLATING TO SILVER
B	12/27/05	--	MODIFY PLATING TO NEXCOTE / UPDATE DRAWING FORMAT
C	07/14/10	2073	UPDATED DESIGN

32.00 ON HEX
[1.260]



1. ELECTRIC PERFORMANCE IEC60169-4

NOMINAL IMPEDANCE(Ω)	: 50±2
FREQUENCY RANGE	: DC-3GHZ
VSWR	: ≤1.10
INSERT LOSS	: ≤0.05
INSULATION RESISTANCE(MΩ)	: >10000
PROOF VOLTAGE (V)	: 1500
CONDUCTOR RESISTANCE(MΩ)	: OUTER CONDUCTOR<0.2 INNER CONDUCTOR<0.8

2. MECHANICAL PERFORMANCE

NUT TORQUE	: 25N.m
(NUT)WHORL PULL	: 1000N
TENSILE FORCE (CABLE-CONNECT)	: 100N
TORSION(CABLE-CONNECT)	: 0.2N.m

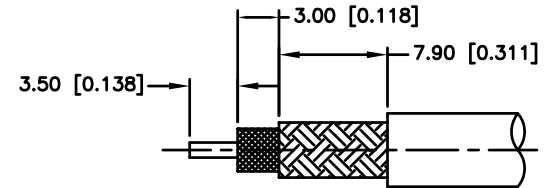
1V. ENVIRONMENT

TEMP.RANGE	: -55°C TO +155°C
WEATHER STANDARD	: IEC 60068 55 / 155/ 56
THERMAL SHOCK	: US MIL-STD 202.METH.107,COND.B
VIBRATION	: US MIL-STD 202.METH.204,COND.B
SHOCK	: US MIL-STD 202.METH.213,COND.1

V. ASSEMBLY

:	INNER CONDUCTOR SOLDERED AND OUTER CONDUCTOR CRIMPED
---	---

V1. ROHS COMPLIANT.



RECOMMENDED CABLE
STRIPPING DIM'S

				UNLESS OTHERWISE SPECIFIED DIMENSIONS ARE IN MILLIMETERS. DIMENSIONS IN [] ARE IN INCHES AND FOR CUSTOMER REFERENCE ONLY.	APPROVALS	DATE	Amphenol Connex				
				UNLESS OTHERWISE SPECIFIED TOLERANCES FOR MILLIMETERS ARE: 0.5 - 8mm ± 0.20mm 8 - 30mm ± 0.40mm 30 - 120mm ± 0.50mm	DRAWN	CLEMENT					07/14/10
				UNLESS OTHERWISE SPECIFIED TOLERANCES FOR INCHES ARE: .020 - .315 = ± 0.007" .315 - 1.180 = ± 0.015" 1.180 - 4.724 = ± 0.020"	CHECKED			PART NO. 272103			
6	INSULATOR	PTFE	NATURAL	1	ISSUED						
5	GASKET	SILICONE RUBBER	NATURAL	1	SHEET	1 OF 1		REV. C	SIZE A	SCALE NA	
4	NUT	BRASS	WHITE BRONZE	1	DO NOT SCALE DRAWING						
3	TUBE	COPPER	WHITE BRONZE	1	CAD FILE C:/272/272103.DWG						
2	OUTER CONDUCTOR	BRASS	WHITE BRONZE	1							
1	INNER CONDUCTOR	SPRING COPPER/BRASS	SILVER	1							
DESCRIPTION				MATERIAL	FINISH	QTY					