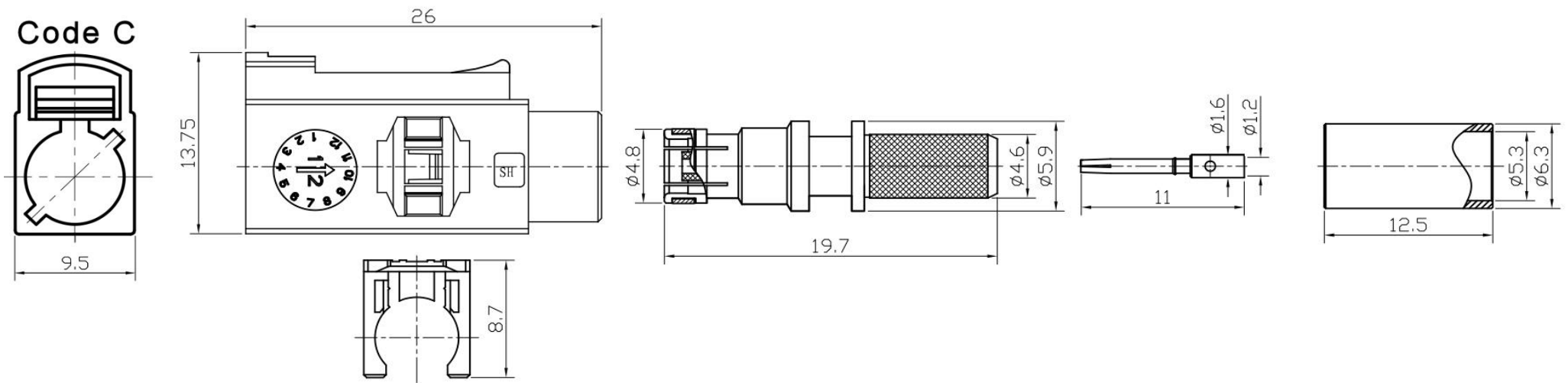


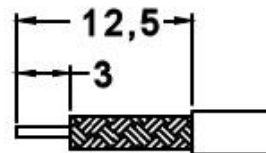
**PRODUCT: FAKRA JACK, CODE C, BLUE, CRIMP, STRAIGHT, 50 OHM, FOR AIRCELL 5, LMR-200**  
**PRODUCT CODE: E2773, Paratronic Oy**

Description	Material	Note	General information	
Contact pin, snap ring	Beryllium copper	1	Dimensions in millimeters (mm), unless otherwise specified. RoHS compliant. Directive 2015/863 with exemption 6(c) Note, finish, plating thickness in micro-inches, $\mu\text{in}$ (minimum): 1. Gold (3) over nickel (50) over copper (50) 2. Nickel (100) over copper (50) Hex crimp size: Ferrule 5.41 mm / 0.213", pin to solder IP40 mated and unmated	Impedance 50 ohm Frequency range DC - 4 GHz VSWR 1.40 max Insertion loss $\leq 0.3$ dB Insulator resistance $\geq 1$ G $\Omega$ Resistance, center contact $\leq 5$ m $\Omega$ , outer c. $\leq 2.5$ m $\Omega$ Test voltage 750 V rms, working voltage 250 V rms
Insulator	PTFE	-		
Body	Brass	2		
Ferrule	Copper	2		
Housing	PA66 GF30	-		
Lock	PA66 GF30			

Code C



Cable stripping dimensions:



Title	Value
Drawing date	28.2.2023
Version	A
Website	www.paratronic.fi