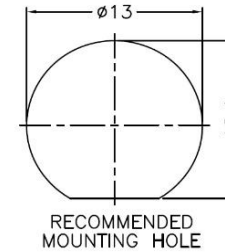
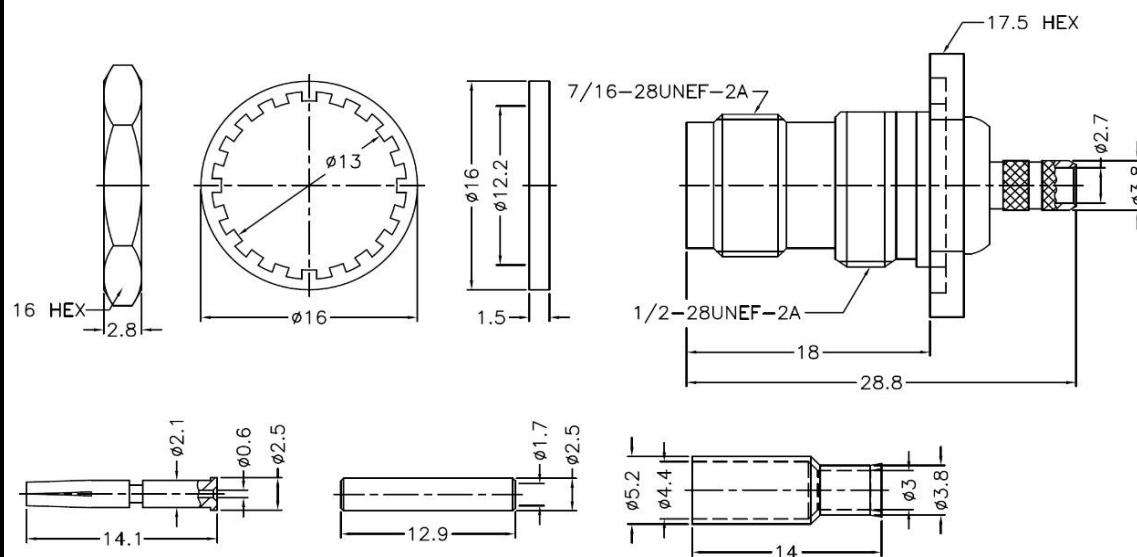
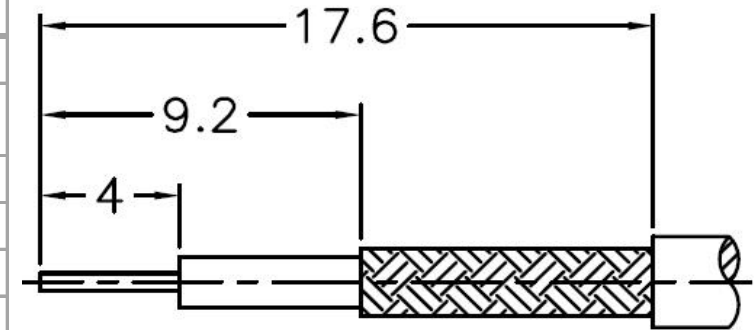


PRODUCT: TNC FEMALE CRIMP, BULKHEAD, STRAIGHT, 50 OHM, FOR RG-316, RG-174
PRODUCT CODE: E3500, Paratronic Oy

| Description | Material | Note | General information |
|--------------|-----------------|------|--|
| Ferrule | Brass | 1 | Dimensions in millimeters (mm), unless otherwise specified. |
| Pin | Phosphor bronze | 2 | RoHS compliant. Directive 2015/863 with exemption 6(c) |
| Insulator | POM | - | Note, finish, plating thickness in micro-inches, μin (minimum): |
| Body/Housing | Brass | 1 | 1. Nickel (100) over copper (50) |
| Sleeve | POM | - | 2. Gold (3) over nickel (50) over copper (50) |
| Nut | Brass | 1 | |
| Washer | Brass | 1 | Hex crimp size: |
| Gasket | Silicone | - | Ferrule 4.52 mm / 0.178", pin 1.72 mm / 0.068" or solder |
| Barrel | Brass | 1 | Max panel thickness 3.5 mm |



| Title | Value |
|--------------|--|
| Drawing date | 30.10.2021 |
| Version | A |
| Website | www.paratronic.fi |