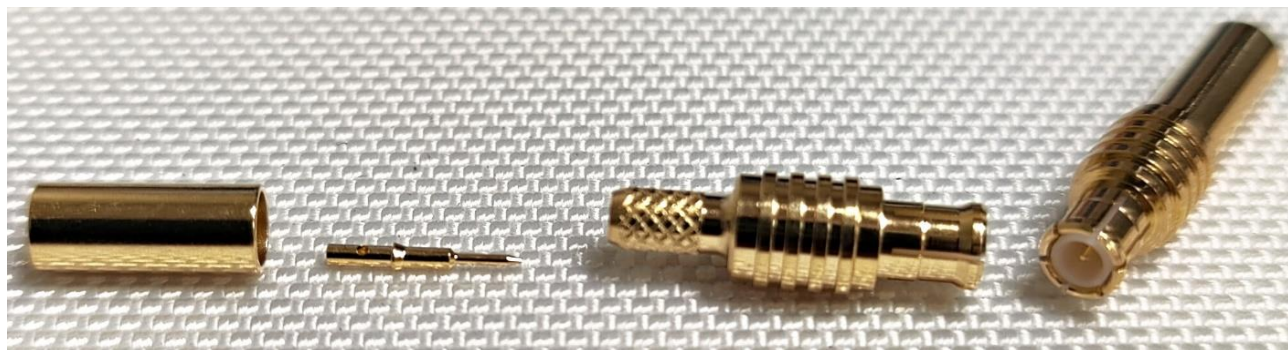
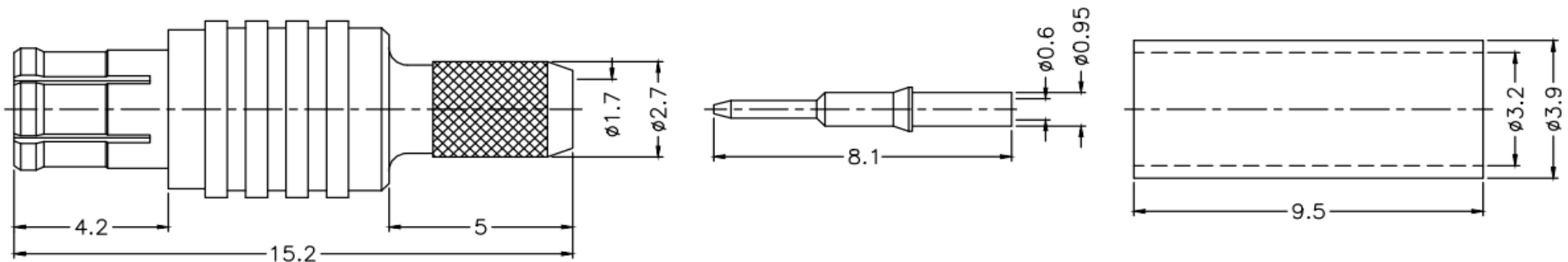
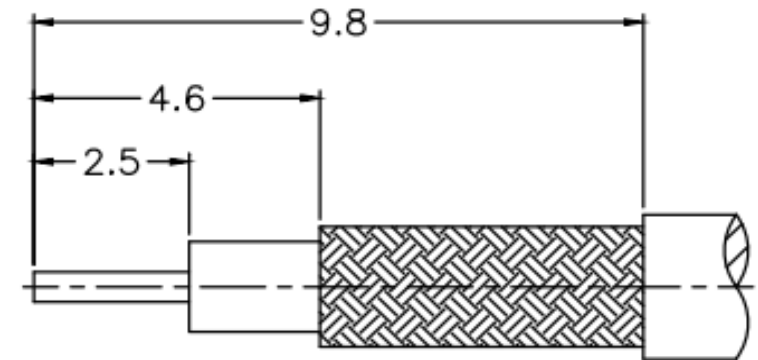


PRODUCT: MCX MALE CRIMP, FOR RG-174, RG-188A, RG-316, LMR-100
PRODUCT CODE: E3501, Paratronic Oy

Description	Material	Note	General information
Ferrule	Brass	1	Dimensions in millimeters (mm), unless otherwise specified.
Pin	Brass	2	RoHS compliant. Directive 2015/863 with exemption 6(c)
Insulators	Teflon	-	Note, finish, plating thickness in micro-inches, μ in (minimum):
Housing	Brass	1	1. Thin gold over nickel (50) over copper (50)
			2. Gold (3) over nickel (50) over copper (50)
Body	Beryllium copper	1	Hex crimp size:
			Ferrule 3.25 mm / 0.128", pin to solder
			IP40 mated and unmated



Title	Value
Drawing date	13.12.2021
Version	A
Website	www.paratronic.fi