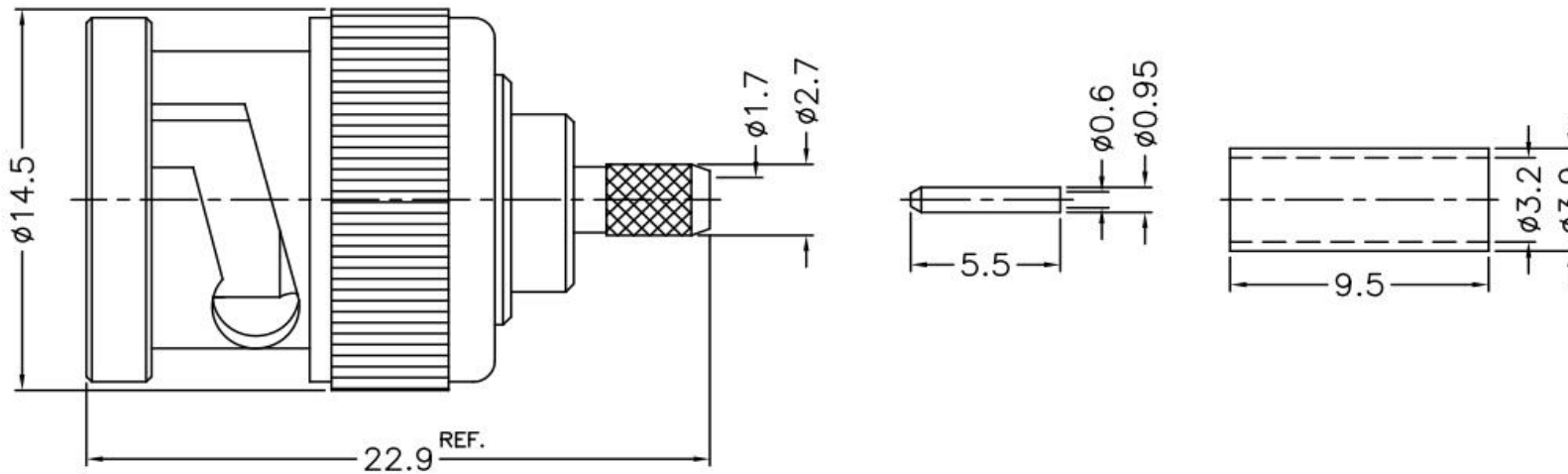
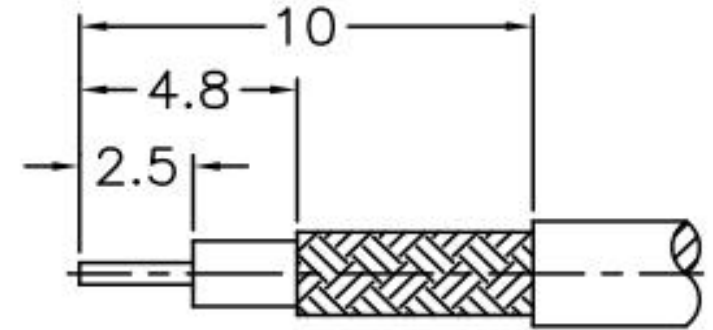


PRODUCT: BNC MALE STRAIGHT CRIMP, RG-174, RG-188A, RG-316, LMR-100
PRODUCT CODE: E3503, Paratronic Oy

Description	Material	Note	General information
Ferrule	Brass	1	Dimensions in millimeters (mm), unless otherwise specified.
Small pin	Brass	2	RoHS compliant. Directive 2015/863 with exemption 6(c)
Body	Brass	1	Note, finish, plating thickness in micro-inches, μ in (minimum):
Insulator	Teflon	-	1. Nickel (100) over copper (50)
Washer	Brass	1	2. Gold (3) over nickel (50) over copper (50)
Pin	Phosphor bronze	2	
Retainer ring	Brass	1	Hex crimp size:
Gasket	Rubber		Ferrule 3.25 mm / 0.128", pin to solder or square crimp 0.7mm
Spring	SK5	1	IP40 mated and unmated



Title	Value
Drawing date	31.12.2021
Version	A
Website	www.paratronic.fi