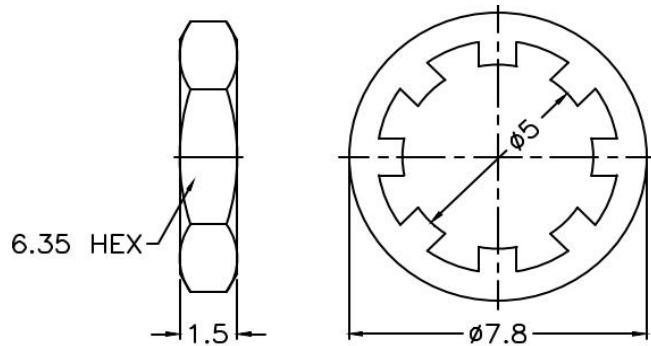
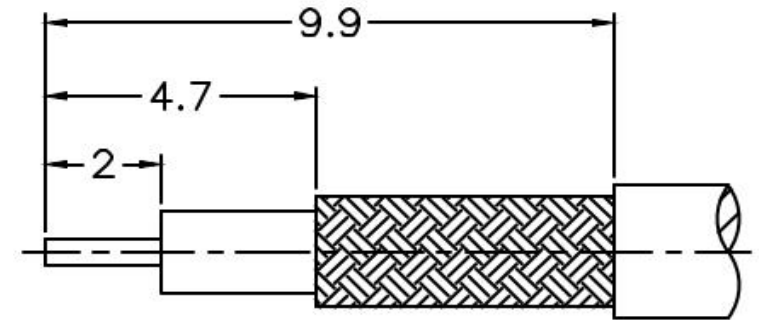
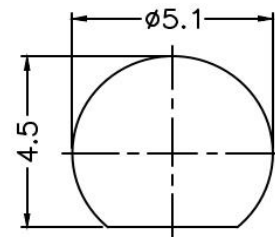
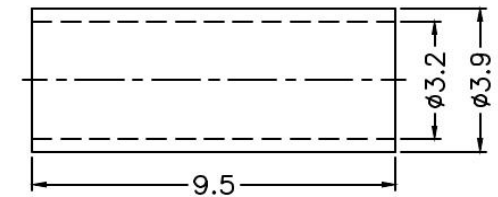
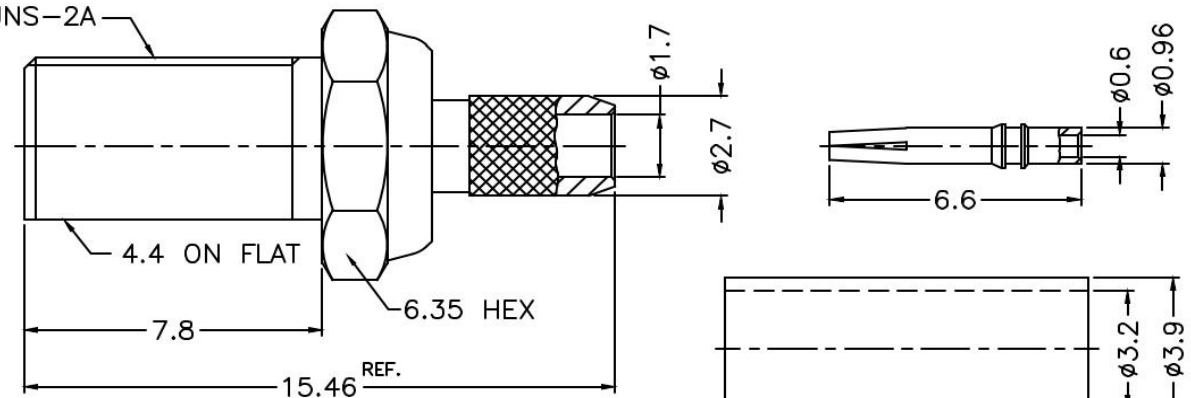


**PRODUCT: MCX FEMALE CRIMP, BULKHEAD, FOR RG-174, RG-188A, RG-316, LMR-100**  
**PRODUCT CODE: E3505, Paratronic Oy**

Description	Material	Note	General information
Ferrule	Brass	1	Dimensions in millimeters (mm), unless otherwise specified.
Body	Brass	1	RoHS compliant. Directive 2015/863 with exemption 6(c)
Insulators	PTFE	-	Note, finish, plating thickness in micro-inches, $\mu$ in (minimum):
Hex nut	Brass	1	1. Thin gold over nickel (50) over copper (50)
Lock washer	Brass	1	2. Gold (3) over nickel (50) over copper (50)
Pin	Beryllium copper	2	Hex crimp size:
			Ferrule 3.25 mm / 0.128", pin to solder
			IP40 mated and unmated
			Max panel thickness 5.3 mm



#10-56UNS-2A



RECOMMENDED  
MOUNTING HOLE

Title	Value
Drawing date	28.9.2022
Version	A
Website	www.paratronic.fi