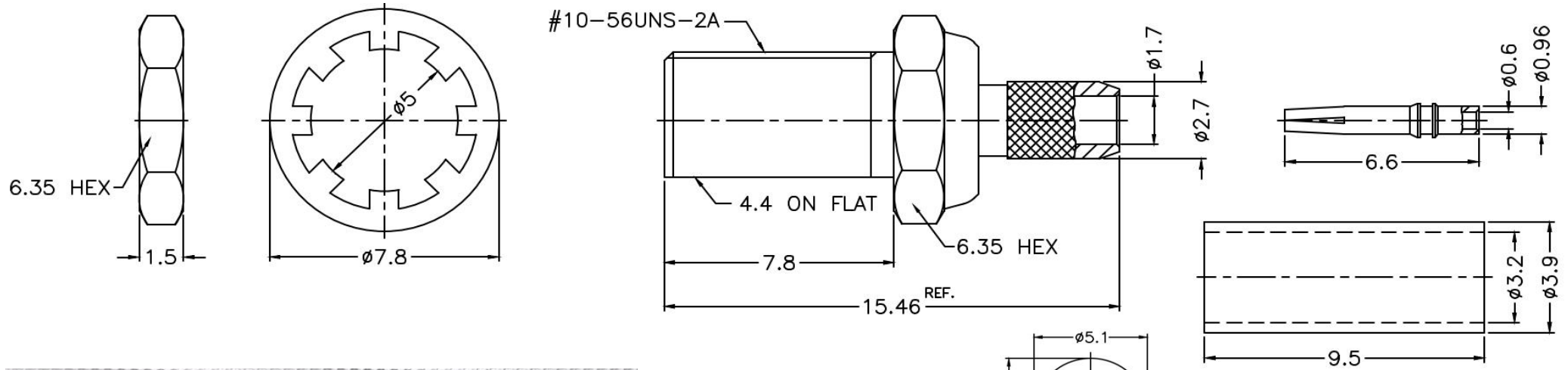
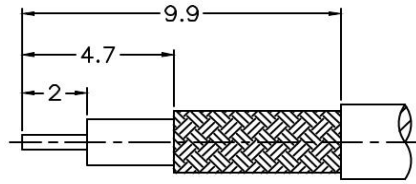


PRODUCT: MCX FEMALE CRIMP, BULKHEAD, FOR RG-174, RG-188A, RG-316, LMR-100
PRODUCT CODE: E3505, Paratronic Oy

Description	Material	Note	General information	
Contact pin	Beryllium copper	1	Dimensions in millimeters (mm), unless otherwise specified. RoHS compliant. Directive 2015/863 with exemption 6(c) Note, finish, plating thickness in micro-inches, μin (minimum): 1. Gold (3) over nickel (50) over copper (50) 2. Thin gold over nickel (50) over copper (50) Hex crimp size: Ferrule 3.25mm (0.128"), pin to solder IP40 mated and unmated Max panel thickness 5.3 mm	Impedance 50 ohm Frequency range DC - 6 GHz, VSWR 1.20 max Insertion loss ≤ 0.3 dB Insulator resistance ≥ 1 G Ω Resistance, center contact ≤ 5 m Ω , outer c. ≤ 2.5 m Ω Test voltage 750 V rms, working voltage 335 V rms
Insulators	PTFE	-		
Body	Brass	2		
Barrel	Brass	2		
Ferrule	Brass	2		
Lock washer	Brass	2		
Hex nut	Brass	2		



Cable stripping dimensions:



RECOMMENDED MOUNTING HOLE

Title	Value
Drawing date	28.2.2023
Version	A
Website	www.paratronic.fi