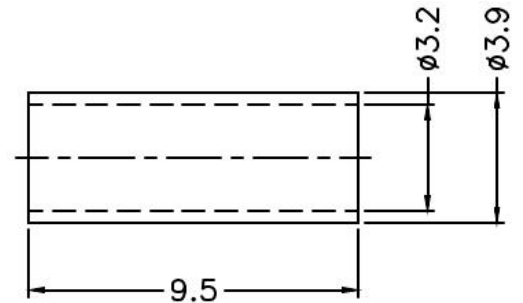
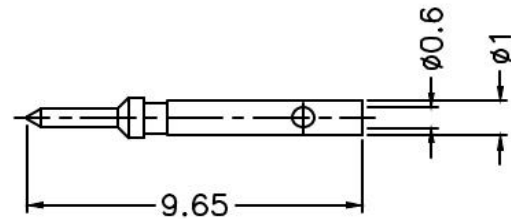
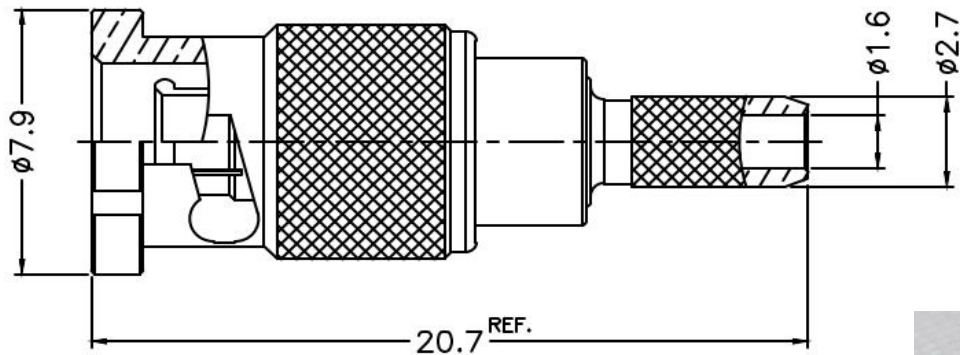


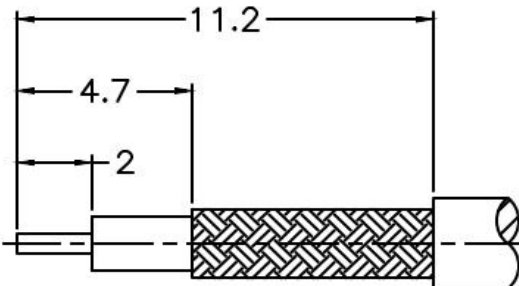
**PRODUCT: HD-BNC MALE STRAIGHT CRIMP, RG-174, RG-188A, RG-316, LMR-100**

**PRODUCT CODE: E3506, Paratronic Oy**

Description	Material	Note	General information		
Contact pin	Phosphor bronze	1	Dimensions in millimeters (mm), unless otherwise specified. RoHS compliant. Directive 2015/863 with exemption 6(c) Note, finish, plating thickness in micro-inches, $\mu\text{in}$ (minimum): 1. Gold (3) over nickel (50) over copper (50) 2. Nickel (100) over copper (50)	Impedance 50 ohm Frequency range DC - 6 GHz VSWR 1.25 max Insertion loss $\leq 0.3$ dB Insulator resistance $\geq 5$ G $\Omega$ Resistance, center contact $\leq 5$ m $\Omega$ , outer c. $\leq 2.5$ m $\Omega$	
Insulator	PTFE	-			
Spring	SWP 80	-			
Ferrule	Brass	2			
Washer	Brass	2			
Retainer ring	Brass	2			
Body	Beryllium copper	2			Hex crimp size:
Barrel	Brass	2			Ferrule 3.25 mm / 0.128", pin to solder or square crimp 0.7mm
Shell	Brass	2			IP40 mated and unmated
Gasket	Silicone rubber	-			
				Test voltage 500 V rms, working voltage 170 V rms	



**Cable stripping dimensions:**



Title	Value
Drawing date	28.2.2023
Version	A
Website	www.paratronic.fi