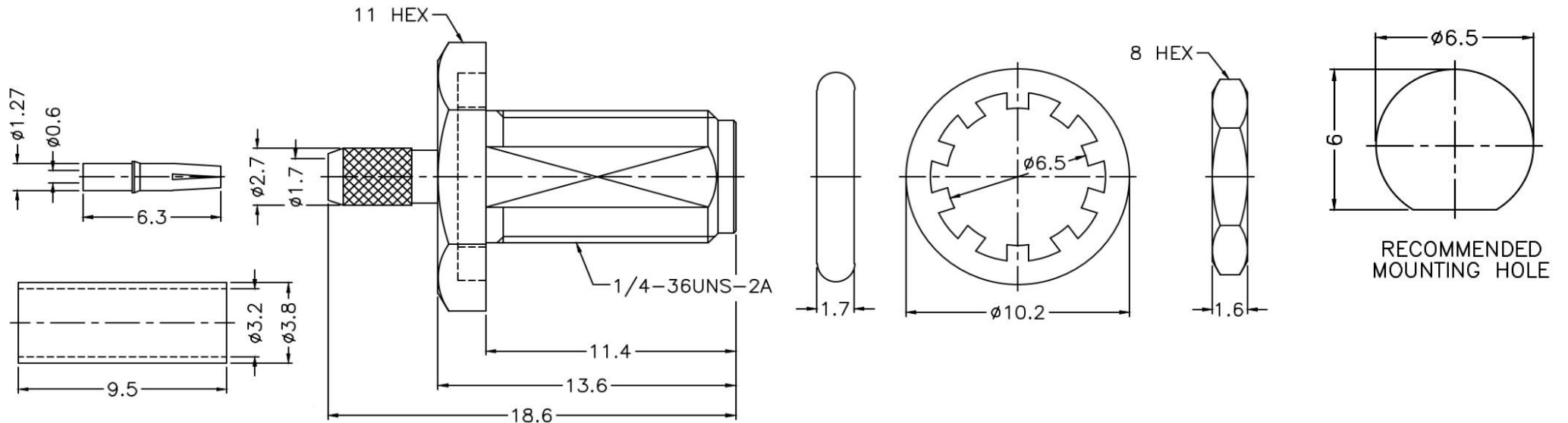
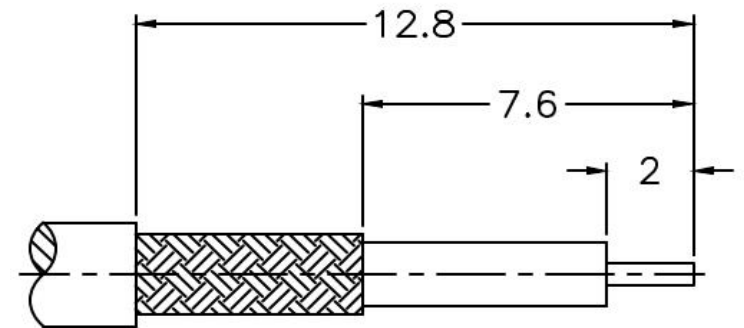


PRODUCT: SMA FEMALE CRIMP STRAIGHT BULKHEAD, IP67, FOR RG-174, RG-188A, RG-316, LMR-100
PRODUCT CODE: E3512, Paratronic Oy

Description	Material	Note	General information
Ferrule	Copper	1	Dimensions in millimeters (mm), unless otherwise specified.
Hex nut	Brass	1	RoHS compliant. Directive 2015/863 with exemption 6(c)
Pin	Beryllium copper	2	Note, finish, plating thickness in micro-inches, μin (minimum):
Insulator	Teflon	-	1. Thin gold over nickel (50) over copper (50)
Body	Brass	1	2. Gold (3) over nickel (50) over copper (50)
Ring	Brass	1	Hex crimp size:
Lock washer	Brass	1	Ferrule 3.25 mm / 0.128", pin to solder
Gasket	Silicone	-	
			Panel mounting IP67. Max panel thickness 2.4 mm



Title	Value
Drawing date	19.8.2022
Version	A
Website	www.paratronic.fi