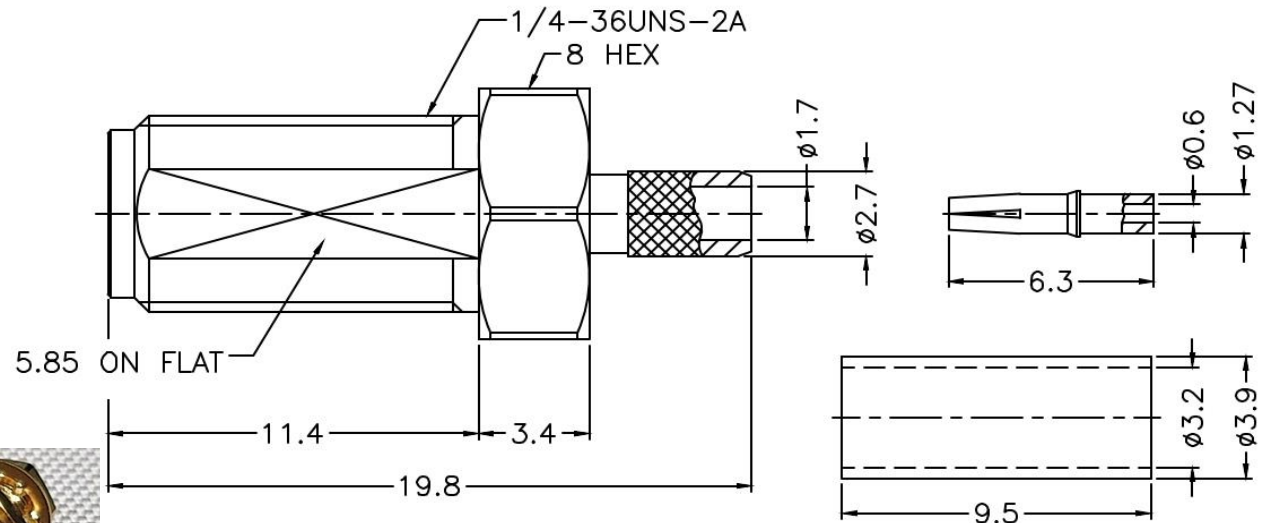
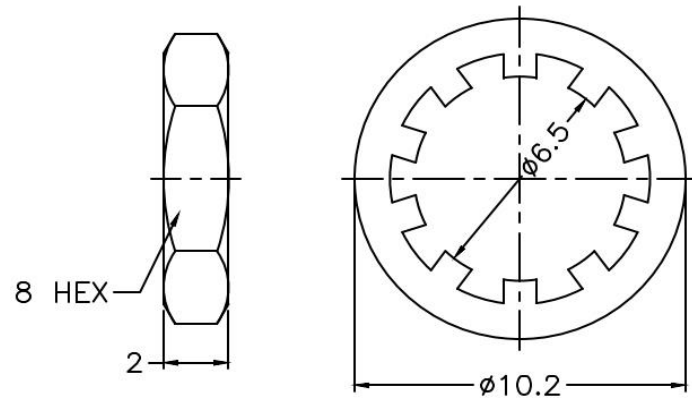
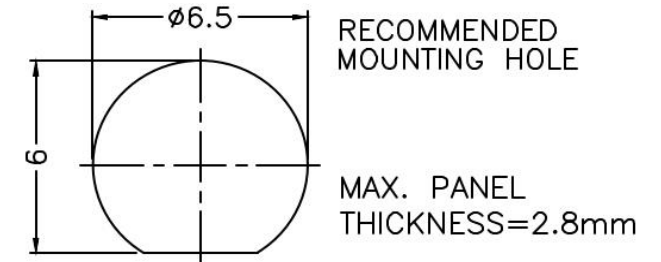
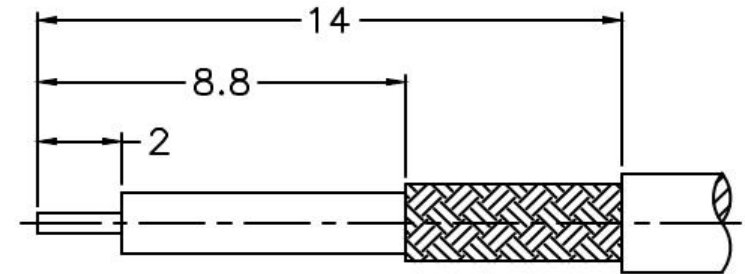


**PRODUCT: SMA FEMALE CRIMP STRAIGHT BULKHEAD, FOR RG-174, RG-188A, RG-316, LMR-100**  
**PRODUCT CODE: E3513, Paratronic Oy**

Description	Material	Note	General information
Ferrule	Brass	1	Dimensions in millimeters (mm), unless otherwise specified.
Hex nut	Brass	1	RoHS compliant. Directive 2015/863 with exemption 6(c)
Pin	Beryllium copper	2	Note, finish, plating thickness in micro-inches, $\mu\text{in}$ (minimum):
Insulator	PTFE	-	1. Thin gold over nickel (50) over copper (50)
Body	Brass	1	2. Gold (3) over nickel (50) over copper (50)
Ring	Brass	1	
Lock washer	Brass	1	Hex crimp size:
			Ferrule 3.25 mm / 0.128", pin to solder
			IP40 mated and unmated



Title	Value
Drawing date	20.12.2022
Version	A
Website	www.paratronic.fi