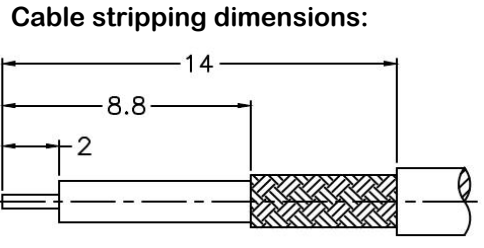
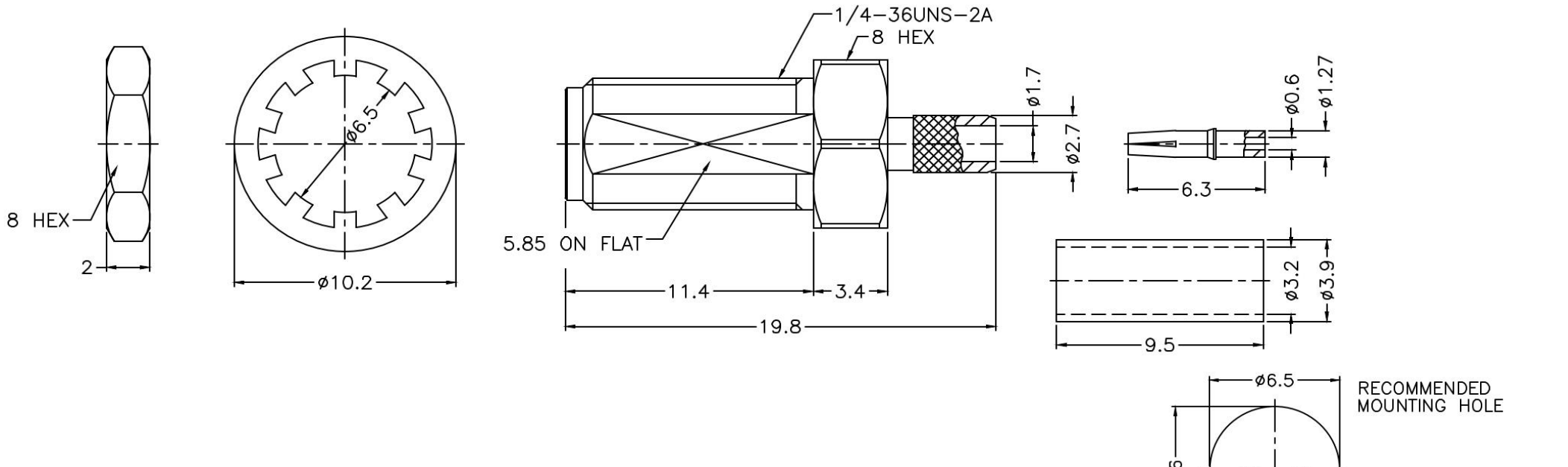


PRODUCT: SMA FEMALE CRIMP STRAIGHT BULKHEAD, FOR RG-174, RG-188A, RG-316, LMR-100
PRODUCT CODE: E3513, Paratronic Oy

Description	Material	Note	General information	
Contact pin	Beryllium copper	1	Dimensions in millimeters (mm), unless otherwise specified.	Impedance 50 ohm
Insulator	PTFE	-	RoHS compliant. Directive 2015/863 with exemption 6(c)	Frequency range DC - 12 GHz
Body	Brass	2	Note, finish, plating thickness in micro-inches, μ in (minimum):	VSWR @ 6 GHz max 1.25, @ 12 GHz max 1.4
Ring	Brass	2	1. Gold (3) over nickel (50) over copper (50)	Insertion loss \leq 0.2 dB
Ferrule	Brass	2	2. Thin gold over nickel (50) over copper (50)	Insulator resistance \geq 5 G Ω
Hex nut	Brass	2	Hex crimp size:	Resistance, center contact \leq 3 m Ω , outer c. \leq 2 m Ω
Lock washer	Brass	2	Ferrule 3.25mm (0.128"), pin to solder	Test voltage 1000 V rms, working voltage 480 V rms
			IP40 mated and unmated	Power handling \leq 200 W @ 2 GHz



Title	Value
Drawing date	28.2.2023
Version	A
Website	www.paratronic.fi