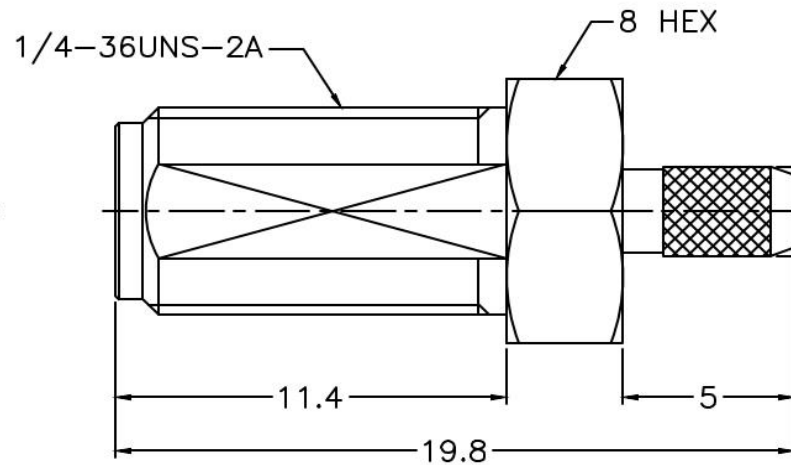
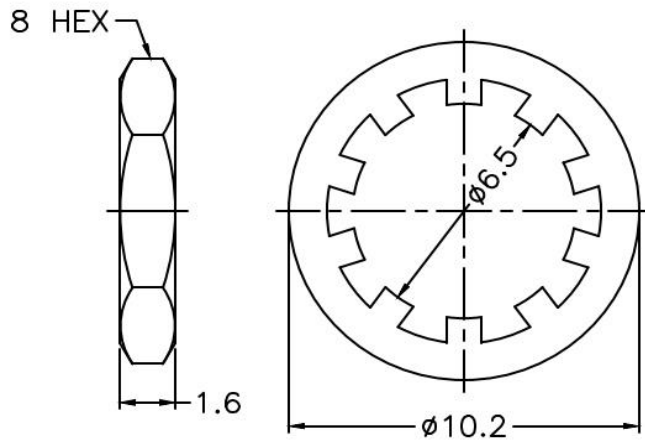
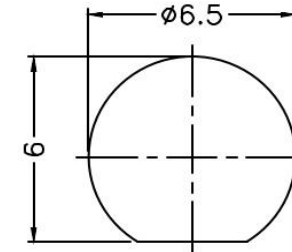
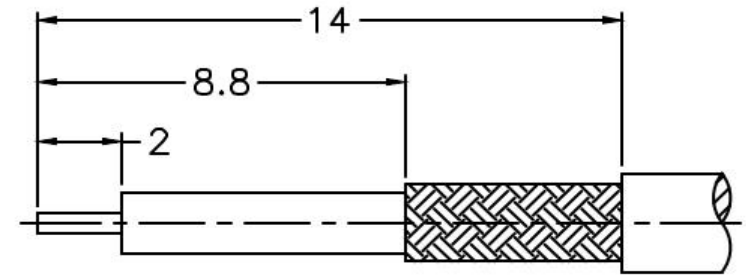
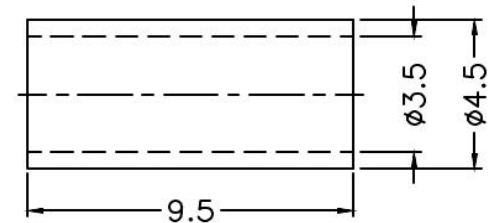
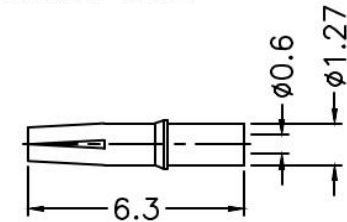


PRODUCT: SMA FEMALE CRIMP STRAIGHT BULKHEAD, FOR RD-316, RGD-316, RG-316D
PRODUCT CODE: E3562, Paratronic Oy

Description	Material	Note	General information
Ferrule	Copper	1	Dimensions in millimeters (mm), unless otherwise specified.
Hex nut	Brass	1	RoHS compliant. Directive 2015/863 with exemption 6(c)
Pin	Beryllium copper	2	Note, finish, plating thickness in micro-inches, μin (minimum):
Insulator	PTFE	-	1. Thin gold over nickel (50) over copper (50)
Body	Brass	1	2. Gold (3) over nickel (50) over copper (50)
Ring	Brass	1	
Lock washer	Brass	1	Hex crimp size:
			Ferrule 3.84 mm / 0.151", pin to solder
			IP40 mated and unmated



RECOMMENDED MOUNTING HOLE



Title	Value
Drawing date	30.6.2022
Version	A
Website	www.paratronic.fi