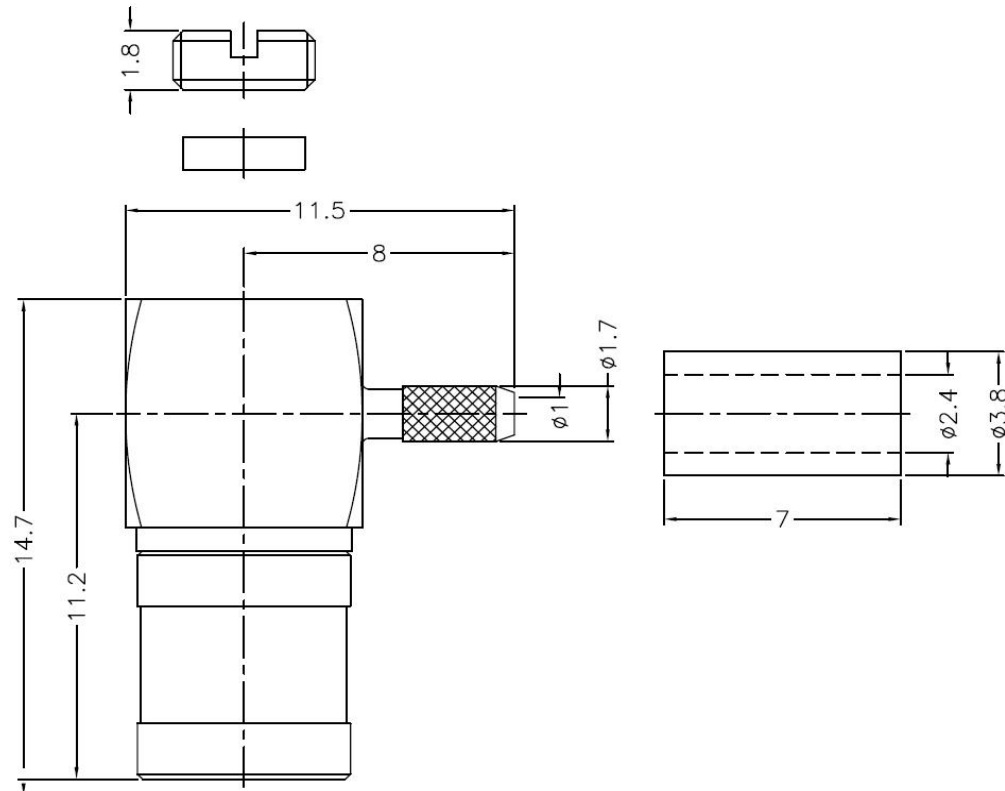
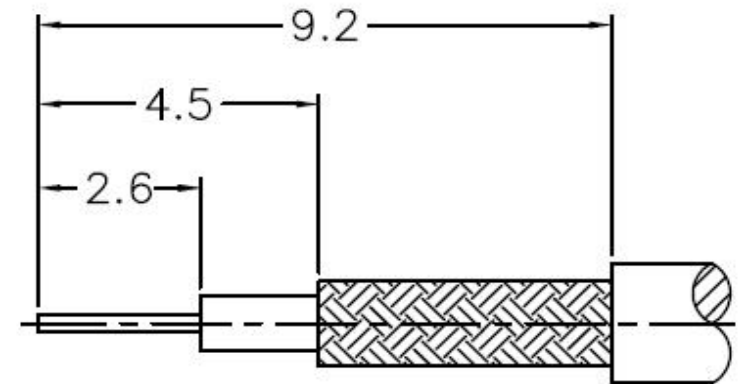


PRODUCT: SMB PLUG RIGHT ANGLE CRIMP, FOR RG-178, RG-196
PRODUCT CODE: E3611, Paratronic Oy

| Description | Material | Note | General information |
|-----------------|------------------|------|----------------------------------------------------------------------------|
| Ferrule | Copper | 1 | Dimensions in millimeters (mm), unless otherwise specified. |
| Pin | Beryllium copper | 2 | RoHS compliant. Directive 2015/863 with exemption 6(c) |
| Insulator | Teflon | - | Note, finish, plating thickness in micro-inches, μin (minimum): |
| Cover | Brass | 1 | 1. Thin gold over nickel (50) over copper (50) |
| Cover insulator | PE | - | 2. Gold (3) over nickel (50) over copper (50) |
| Retainer ring | Beryllium copper | 1 | Hex crimp size: |
| Body | Brass | 1 | Ferrule 3.25 mm / 0.128", pin to solder |
| | | | IP40 mated and unmated |



| Title | Value |
|--------------|-------------------|
| Drawing date | 18.8.2021 |
| Version | A |
| Website | www.paratronic.fi |