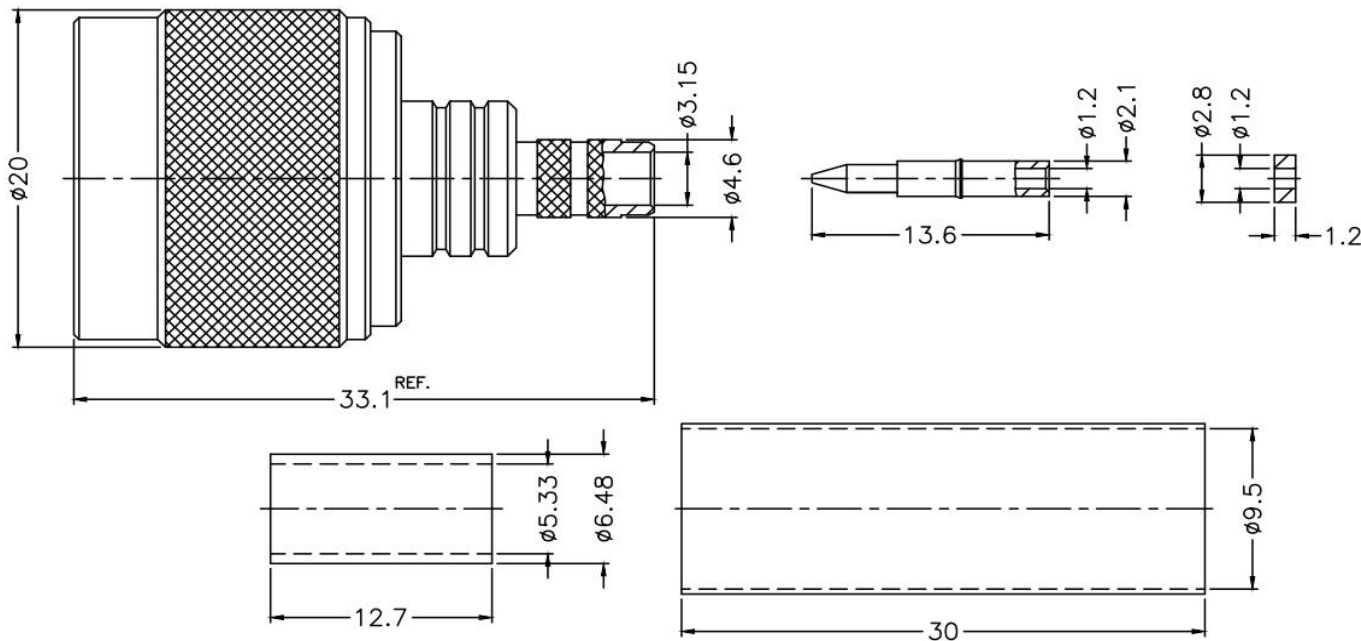


PRODUCT: N MALE CRIMP, STRAIGHT, 50 OHM, FOR AIRCELL 5, LMR-200

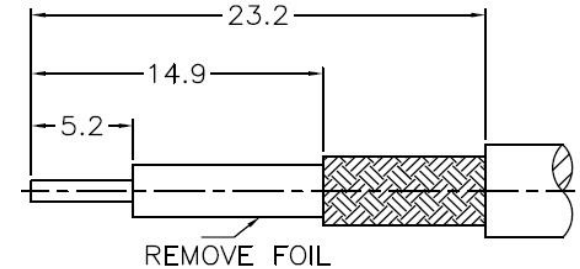
PRODUCT CODE: E3701, Paratronic Oy

Description	Material	Note	General information	
Contact pin	Brass	1	Dimensions in millimeters (mm), unless otherwise specified.	Impedance 50 ohm Frequency range DC - 6 GHz VSWR 1.20 max Insertion loss ≤ 0.3 dB Insulator resistance ≥ 5 G Ω Resistance, center contact ≤ 1.5 m Ω , outer c. ≤ 0.25 m Ω Test voltage 2500 V rms, working voltage 1400 V rms Power handling ≤ 700 W @ 2 GHz
Insulators	PTFE	-	RoHS compliant. Directive 2015/863 with exemption 6(c)	
Body	Brass	2	Note, finish, plating thickness in micro-inches, pin (minimum):	
Shell	Brass	2	1. Gold (3) over nickel (50) over copper (50)	
Gasket	Silicone	-	2. Nickel (100) over copper (50)	
Retainer ring	SUS 304	3	3. Passivated	
Ferrule	Copper	2	Hex crimp size:	
Heat shrink	With glue	-	Ferrule 5.41 mm / 0.213", pin 1.72 mm / 0.068" or solder	
			IP67 when mated, IP40 unmated	

Version A > B, from batch W49/21, added a locking barb to pin.



Cable stripping dimensions:



Title	Value
Drawing date	22.2.2023
Version	B
Website	www.paratronic.fi