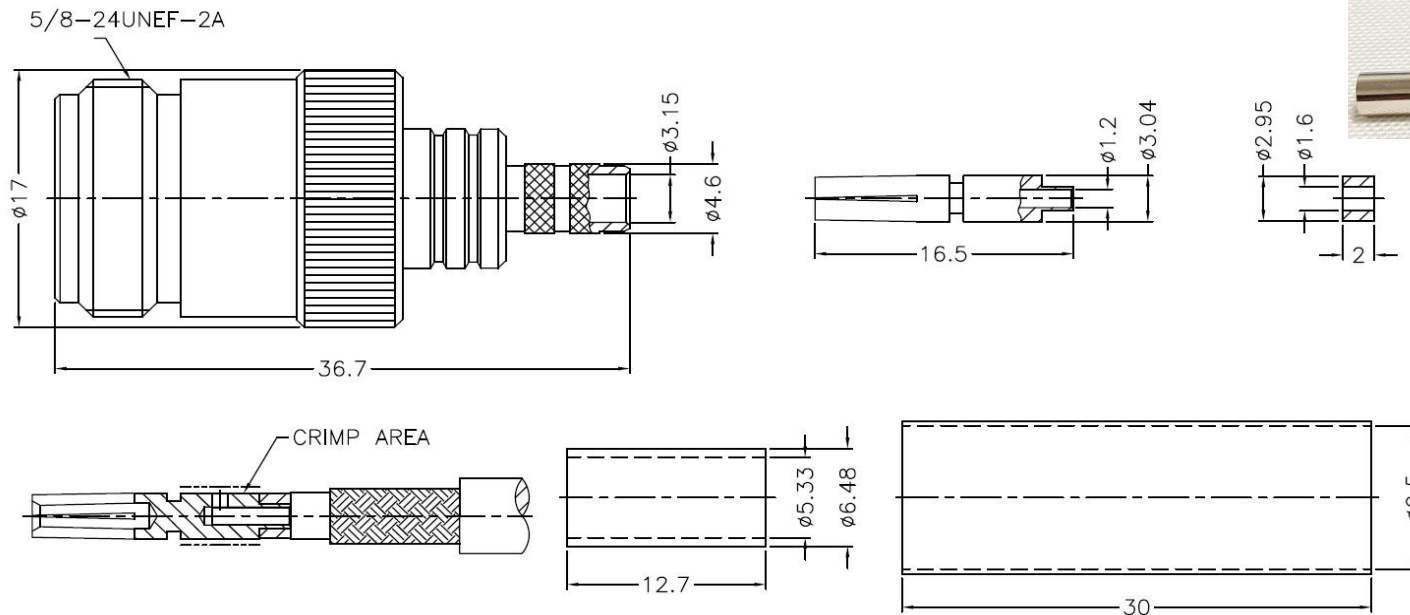
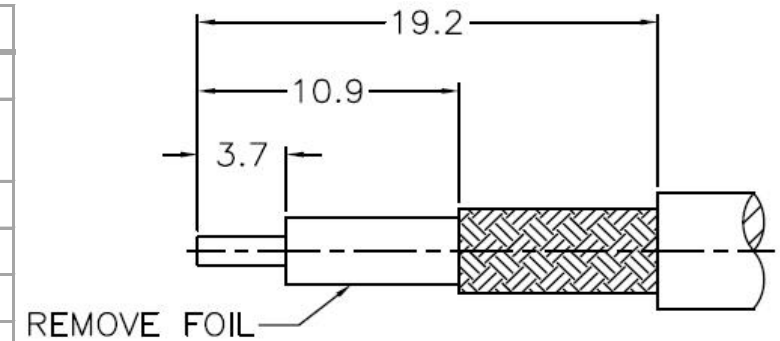


PRODUCT: N FEMALE CRIMP, STRAIGHT, 50 OHM, FOR AIRCELL 5, LMR-200
PRODUCT CODE: E3703, Paratronic Oy

Description	Material	Note	General information
Ferrule	Copper	1	Dimensions in millimeters (mm), unless otherwise specified.
Pin	Beryllium copper	2	
Insulators	Teflon	-	RoHS compliant. Directive 2015/863 with exemption 6(c)
Body	Brass	1	Note, finish, plating thickness in micro-inches, μ in (minimum):
Heat shrink	With glue	-	1. Nickel (100) over copper (50)
			2. Gold (3) over nickel (50) over copper (50)
			Hex crimp size:
			Ferrule 5.41 mm / 0.213", pin 2.54 mm / 0.100" or solder
			IP67 when mated, IP40 unmated



Title	Value
Drawing date	18.8.2021
Version	A
Website	www.paratronic.fi