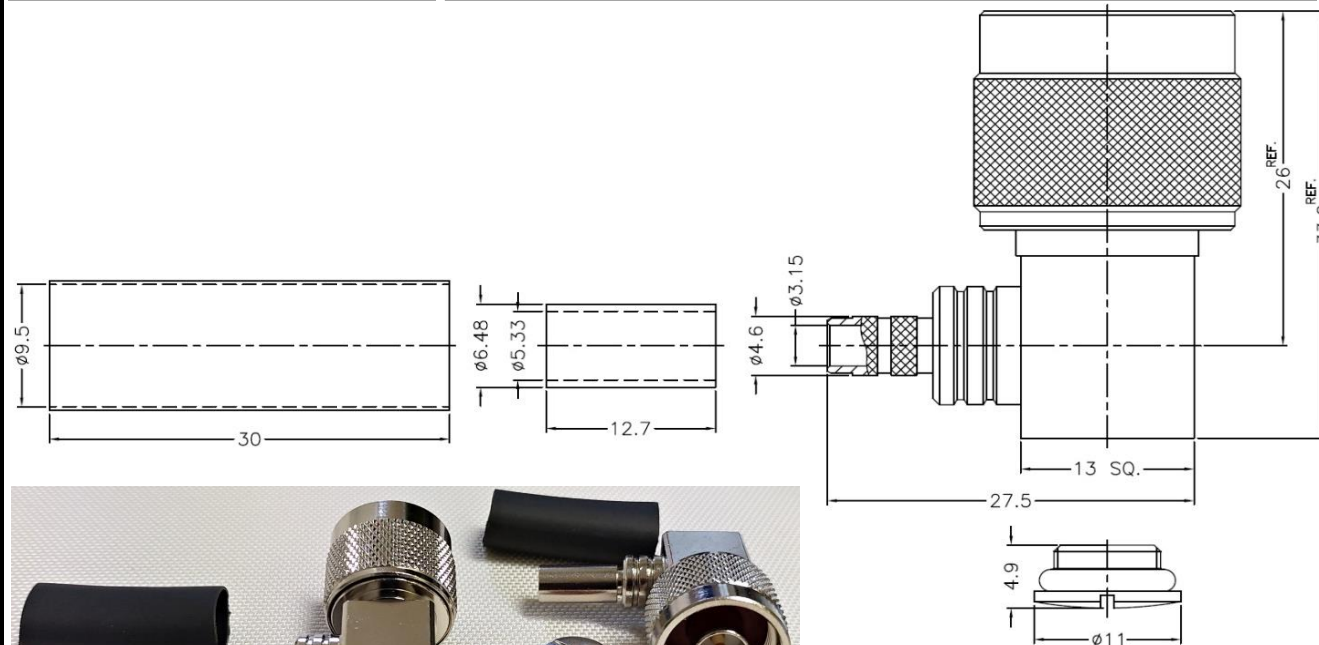
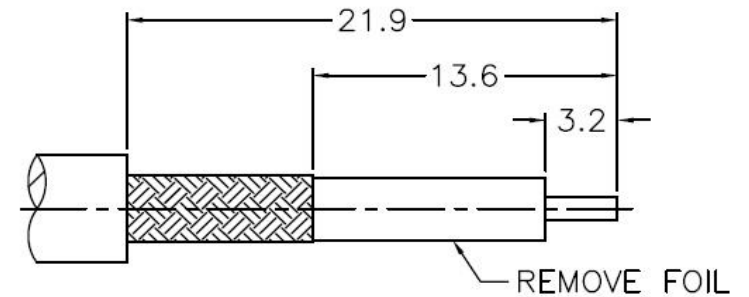


PRODUCT: N MALE CRIMP, RIGHT ANGLE, 50 OHM, FOR AIRCELL 5, LMR-200
PRODUCT CODE: E3705, Paratronic Oy

Description	Material	Note	General information
Ferrule	Copper	1	Dimensions in millimeters (mm), unless otherwise specified.
Pin	Brass	2	RoHS compliant. Directive 2015/863 with exemption 6(c)
Insulator	Teflon	-	Note, finish, plating thickness in micro-inches, μ in (minimum):
Body	Brass	1	1. Nickel (100) over copper (50)
Nut	Brass	1	2. Gold (3) over nickel (50) over copper (50)
Retainer ring	SUS 304	3	3. Passivated
Gaskets	Silicone	-	Hex crimp size:
Heat shrink	With glue	-	Ferrule 5.41 mm / 0.213", pin 1.72 mm / 0.068" or solder
Cap	Brass	1	IP67 when mated, IP40 unmated



Title	Value
Drawing date	18.8.2021
Version	A
Website	www.paratronic.fi