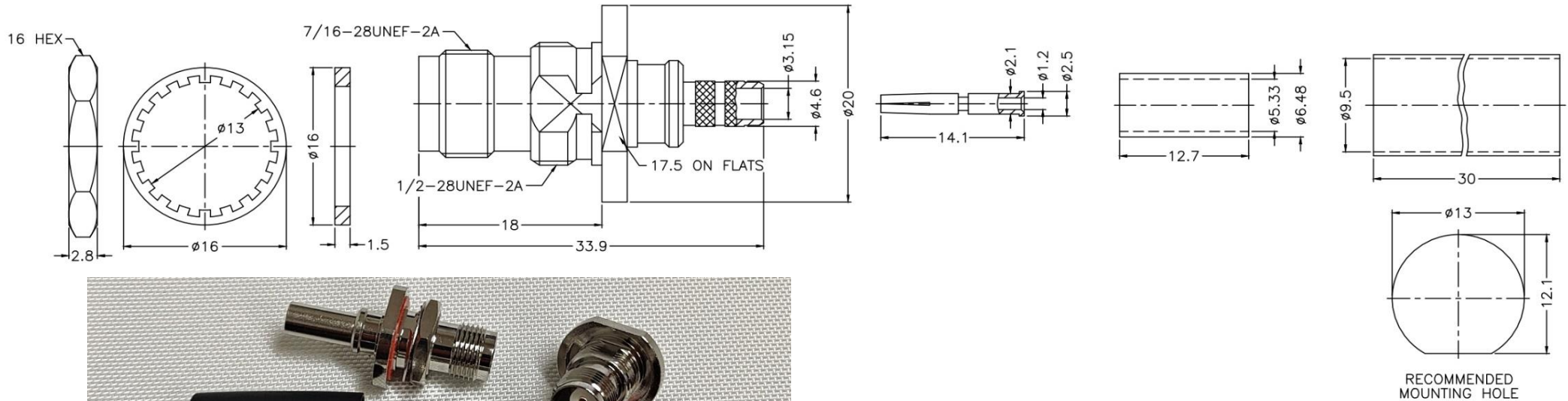
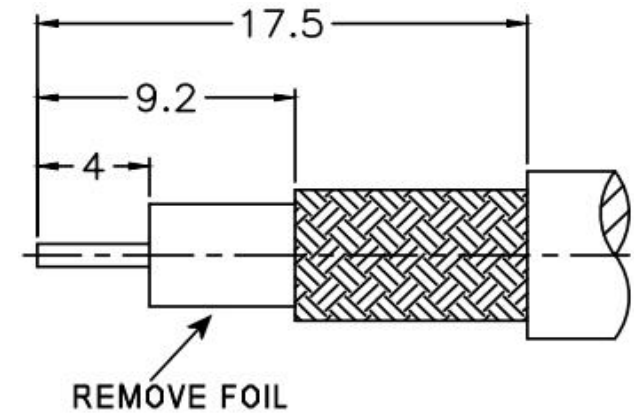


PRODUCT: TNC FEMALE CRIMP, STRAIGHT, BULKHEAD, 50 OHM, FOR AIRCELL 5, LMR-200
PRODUCT CODE: E3717, Paratronic Oy

Description	Material	Note	General information
Ferrule	Copper	1	Dimensions in millimeters (mm), unless otherwise specified. RoHS compliant. Directive 2015/863 with exemption 6(c) Note, finish, plating thickness in micro-inches, μ in (minimum): 1. Nickel (100) over copper (50) 2. Gold (3) over nickel (50) over copper (50) Max panel thickness: 3.5 mm Hex crimp size: Ferrule 5.41 mm / 0.213", pin 1.72 mm / 0.068" or solder IP67 when mated, IP40 unmated
Pin	Phosphor bronze	2	
Insulator	POM	-	
Body	Brass	1	
Hex nut	Brass	1	
Lock washer	Brass	1	
Gasket	Silicone	-	
Lock ring	Iron	1	
Heat shrink	With glue	-	



Title	Value
Drawing date	31.12.2021
Version	A
Website	www.paratronic.fi