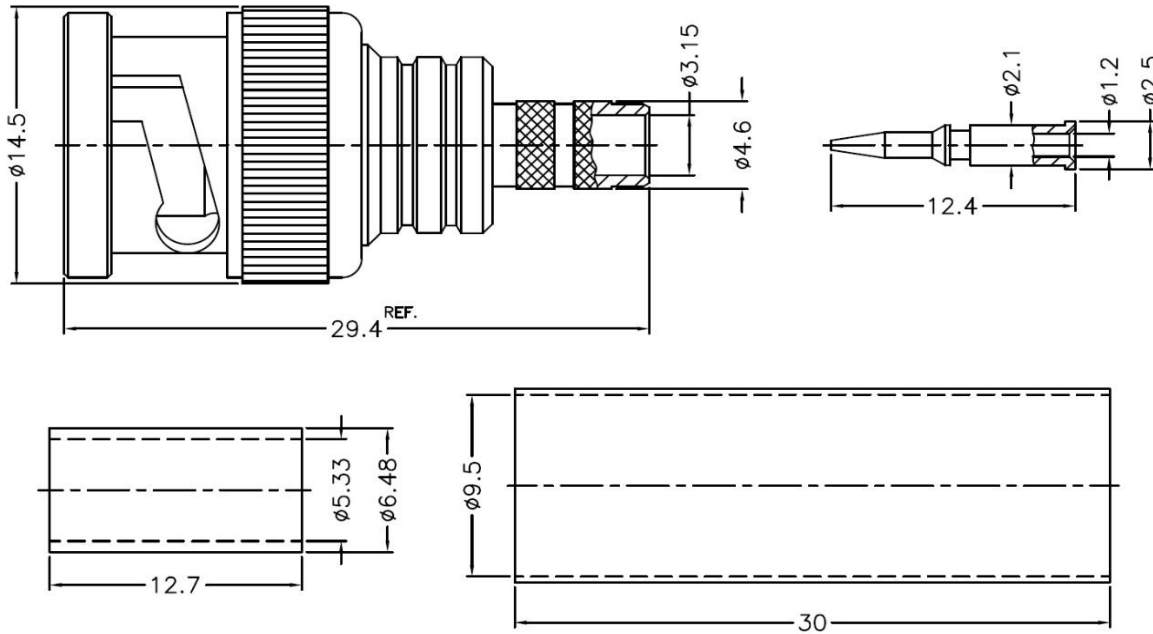
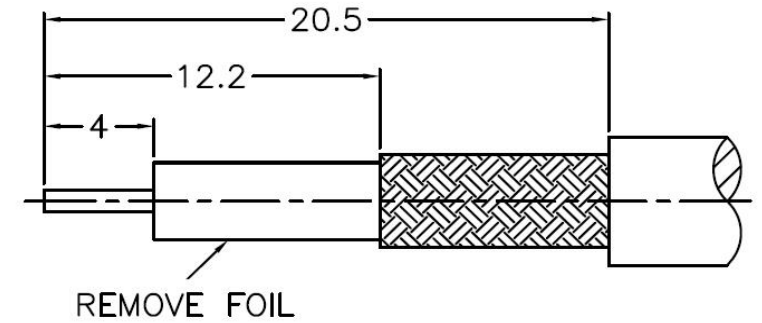


**PRODUCT: BNC MALE CRIMP, STRAIGHT, 50 OHM, FOR AIRCELL 5, LMR-200**  
**PRODUCT CODE: E3721, Paratronic Oy**

Description	Material	Note	General information
Ferrule	Copper	1	Dimensions in millimeters (mm), unless otherwise specified.
Pin	Brass	2	RoHS compliant. Directive 2015/863 with exemption 6(c)
Insulator	POM	-	Note, finish, plating thickness in micro-inches, $\mu\text{in}$ (minimum):
Body/Shell	Brass	1	1. Nickel (100) over copper (50)
Spring	SK5	1	2. Gold (3) over nickel (50) over copper (50)
Retainer ring	Brass	1	
Washer	Brass	1	Hex crimp size:
Gasket	Silicone	-	Ferrule 5.41 mm / 0.213", pin 1.72 mm / 0.068" or solder
Heat shrink	With glue	-	IP67 when mated, IP40 unmated



Title	Value
Drawing date	30.10.2021
Version	A
Website	www.paratronic.fi