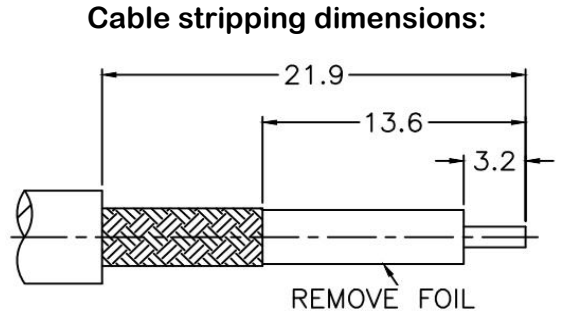
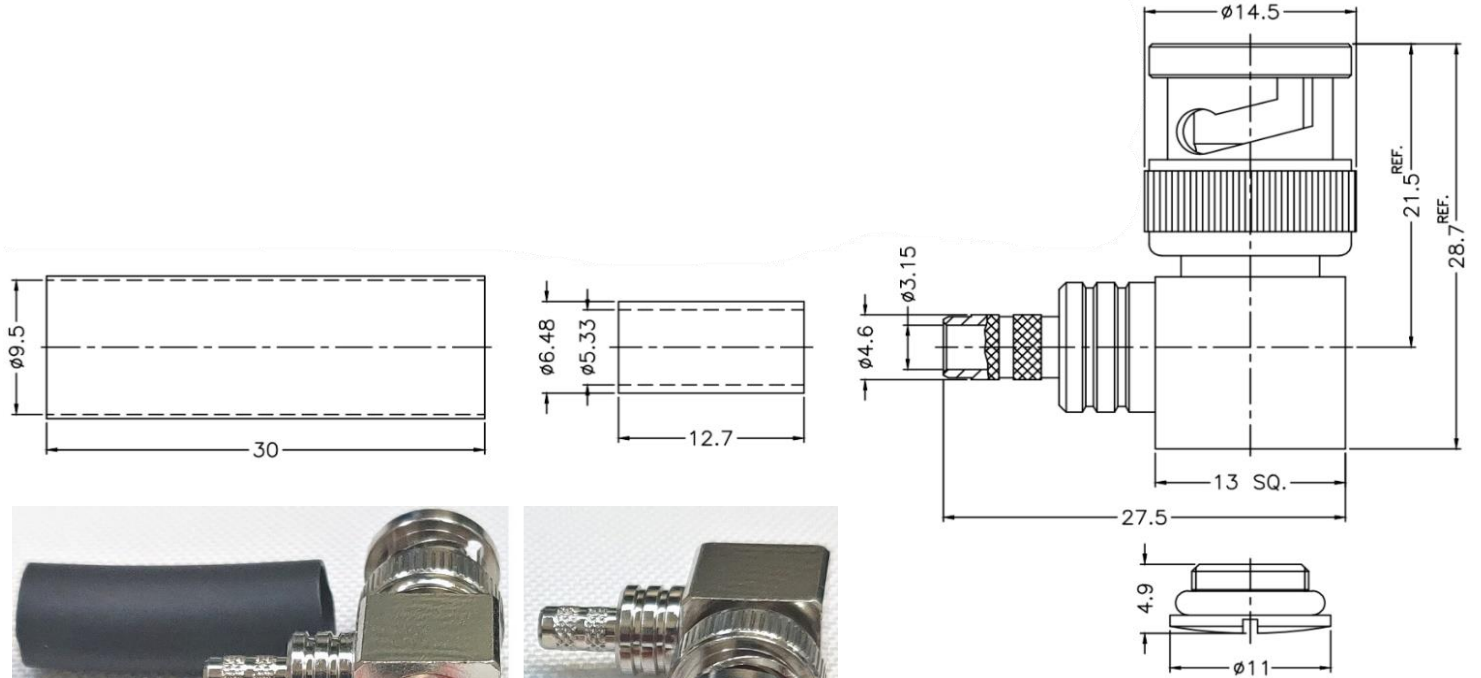


**PRODUCT: BNC MALE CRIMP, RIGHT ANGLE, 50 OHM, FOR AIRCELL 5, LMR-200**  
**PRODUCT CODE: E3725, Paratronic Oy**

Description	Material	Note	General information	
Contact pin	Brass	1	Dimensions in millimeters (mm), unless otherwise specified.	Impedance 50 ohm
Insulator	PTFE	-	RoHS compliant. Directive 2015/863 with exemption 6(c)	Frequency range DC - 4 GHz
Body, shell	Brass	2	Note, finish, plating thickness in micro-inches, $\mu\text{in}$ (minimum):	VSWR 1.35 max
Retainer ring	Brass	2	1. Gold (3) over nickel (50) over copper (50)	Insertion loss $\leq 0.3$ dB
Gaskets	Silicone	-	2. Nickel (100) over copper (50)	Insulator resistance $\geq 5$ G $\Omega$
Cap, washer	Brass	2		Resistance, center contact $\leq 1.5$ m $\Omega$ , outer c. $\leq 1$ m $\Omega$
Ferrule	Copper	2	Hex crimp size:	Test voltage 1500 V rms, working voltage 400 V rms
Heat shrink	With glue	-	Ferrule 5.41 mm / 0.213", pin to solder	Power handling $\leq 80$ W @ 2 GHz
Spring	SK5	2	IP67 when mated, IP40 unmated	



Title	Value
Drawing date	20.4.2023
Version	A
Website	www.paratronic.fi