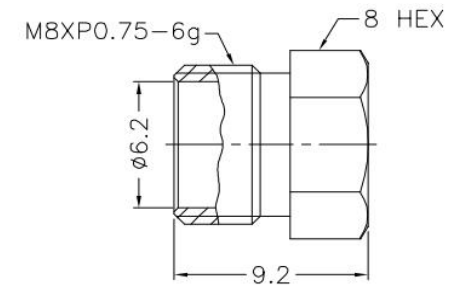
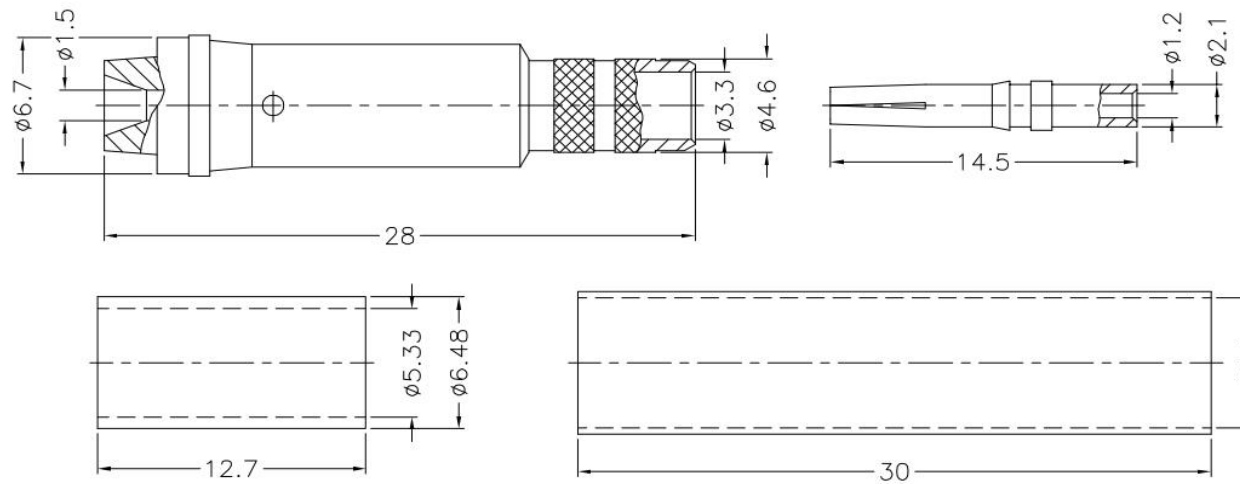
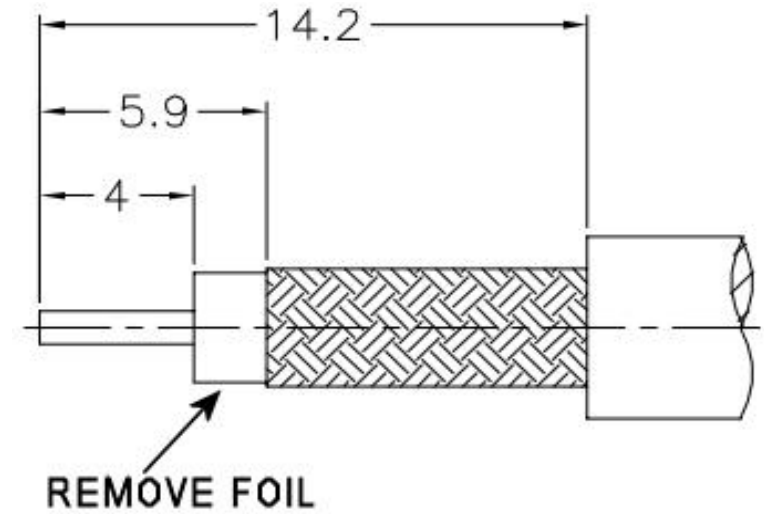


**PRODUCT: FME MALE CRIMP, STRAIGHT, 50 OHM, FOR AIRCELL 5, LMR-200**  
**PRODUCT CODE: E3729, Paratronic Oy**

Description	Material	Note	General information
Ferrule	Copper	1	Dimensions in millimeters (mm), unless otherwise specified.
Pin	Phosphor bronze	2	
Insulator	PTFE	-	RoHS compliant. Directive 2015/863 with exemption 6(c)
Body	Brass	1	Note, finish, plating thickness in micro-inches, $\mu$ in (minimum):
Hex nut	Brass	1	1. Nickel (100) over copper (50)
Heat shrink	With glue	-	2. Gold (3) over nickel (50) over copper (50)
			Hex crimp size:
			Ferrule 5.41 mm / 0.213", pin 1.72 mm / 0.068" or solder
			IP40 mated and unmated



Title	Value
Drawing date	31.12.2021
Version	A
Website	www.paratronic.fi