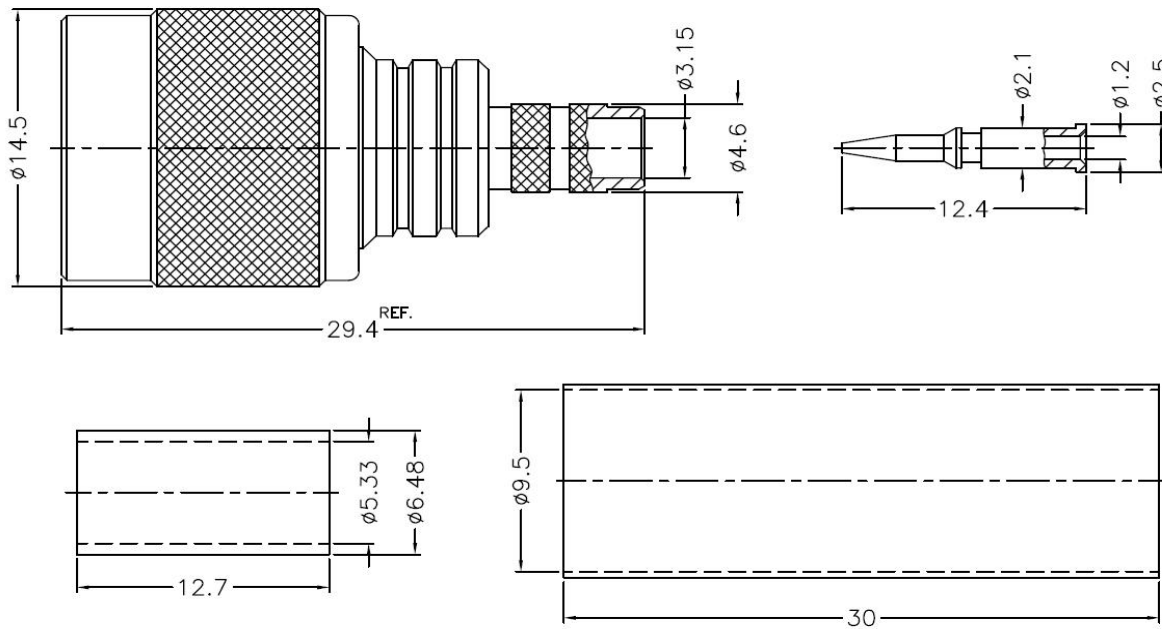
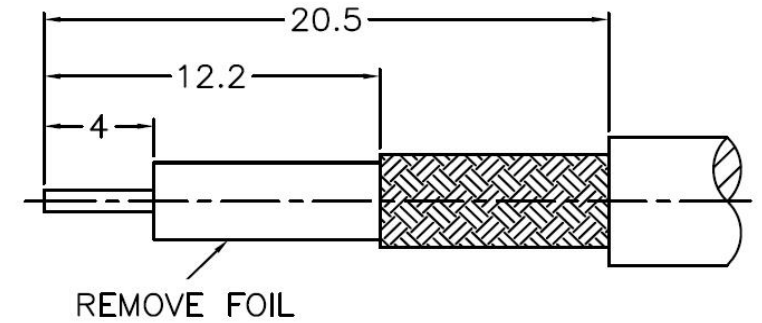


PRODUCT: TNC MALE CRIMP, STRAIGHT, 50 OHM, FOR AIRCELL 5, LMR-200
PRODUCT CODE: E3741, Paratronic Oy

| Description | Material | Note | General information |
|---------------|-----------|------|--|
| Ferrule | Copper | 1 | Dimensions in millimeters (mm), unless otherwise specified. |
| Pin | Brass | 2 | RoHS compliant. Directive 2015/863 with exemption 6(c) |
| Insulator | POM | - | Note, finish, plating thickness in micro-inches, μin (minimum): |
| Body/Shell | Brass | 1 | 1. Nickel (100) over copper (50) |
| Ring | POM | - | 2. Gold (3) over nickel (50) over copper (50) |
| Retainer ring | Brass | 1 | |
| Washer | Brass | 1 | Hex crimp size: |
| Gasket | Silicone | - | Ferrule 5.41 mm / 0.213", pin 1.72 mm / 0.068" or solder |
| Heat shrink | With glue | - | IP67 when mated, IP40 unmated |



| Title | Value |
|--------------|-------------------|
| Drawing date | 30.10.2021 |
| Version | A |
| Website | www.paratronic.fi |