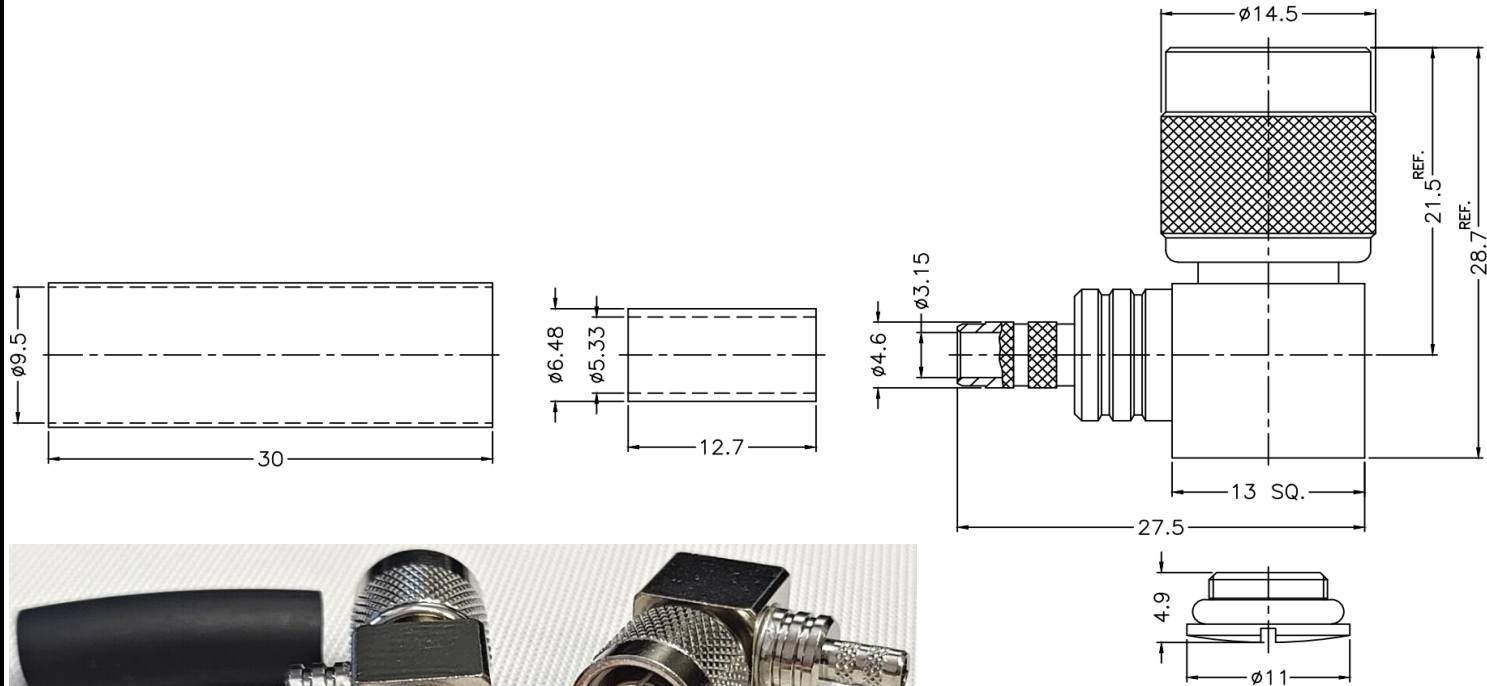
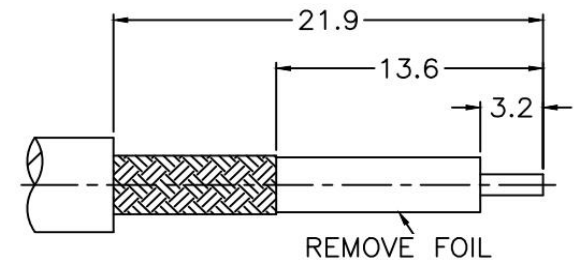


PRODUCT: TNC MALE CRIMP, RIGHT ANGLE, 50 OHM, FOR AIRCELL 5, LMR-200
PRODUCT CODE: E3745, Paratronic Oy

Description	Material	Note	General information	
Contact pin	Brass	1	Dimensions in millimeters (mm), unless otherwise specified.	Impedance 50 ohm
Insulator	PTFE	-	RoHS compliant. Directive 2015/863 with exemption 6(c)	Frequency range DC - 6 GHz
Body, shell	Brass	2	Note, finish, plating thickness in micro-inches, μ in (minimum):	VSWR 1.35 max
Washer, cap	Brass	2	1. Gold (3) over nickel (50) over copper (50)	Insertion loss \leq 0.3 dB
Gaskets	Silicone	-	2. Nickel (100) over copper (50)	Insulator resistance \geq 5 G Ω
Ring	POM	-		Resistance, center contact \leq 1.5 m Ω , outer c. \leq 1 m Ω
Ferrule	Copper	2	Hex crimp size:	Test voltage 1500 V rms, working voltage 400 V rms
Heat shrink	With glue	-	Ferrule 5.41 mm / 0.213", pin to solder	Power handling \leq 80 W @ 2 GHz
Retainer ring	Brass	2	IP67 when mated, IP40 unmated	



Cable stripping dimensions:



Title	Value
Drawing date	28.2.2023
Version	A
Website	www.paratronic.fi