

PRODUCT: SMA MALE CRIMP, FOR AIRCELL 5, LMR-200

PRODUCT CODE: E3750, Paratronic Oy

Description	Material	Note
Ferrule	Copper	1
Pin	Brass	2
Insulator	Teflon	-
Body	Brass	1
Nut	Brass	1
Retainer ring	SUS 304	3
Gasket	Silicone	-
Heat shrink	With glue	-

General information

Dimensions in millimeters (mm), unless otherwise specified.

RoHS compliant. Directive 2015/863 with exemption 6(c)

Note, finish, plating thickness in micro-inches, μ in (minimum):

1. Thin gold over nickel (50) over copper (50)
2. Gold (3) over nickel (50) over copper (50)
3. Passivated

Hex crimp size:

Ferrule 5.41 mm / 0.213", pin to solder

IP67 when mated, IP40 unmated

Impedance 50 ohm

Frequency range DC - 6 GHz, VSWR 1.25 max

Insertion loss \leq 0.2 dB

Insulator resistance \geq 5 G Ω

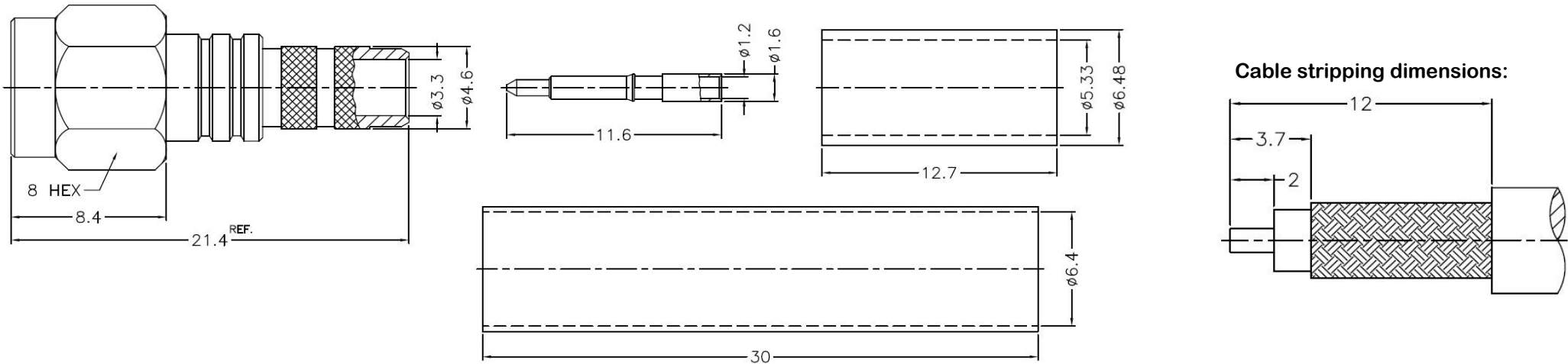
Resistance, center contact \leq 3 m Ω , outer contact \leq 2 m Ω

Test voltage 1000 V rms, working voltage 480 V rms

Power handling \leq 200 W @ 2 GHz

RF-leakage -60 dB min

Version A > B, from batch W40/22, changed cable entry 3.15 > 3.3 mm



Title	Value
Drawing date	19.1.2023
Version	B
Website	www.paratronic.fi