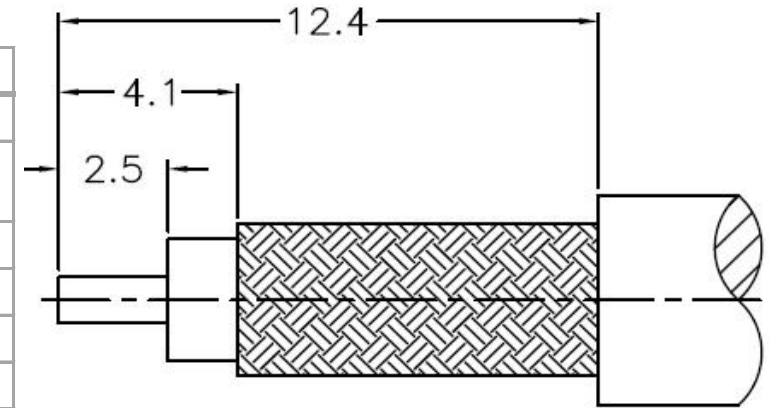
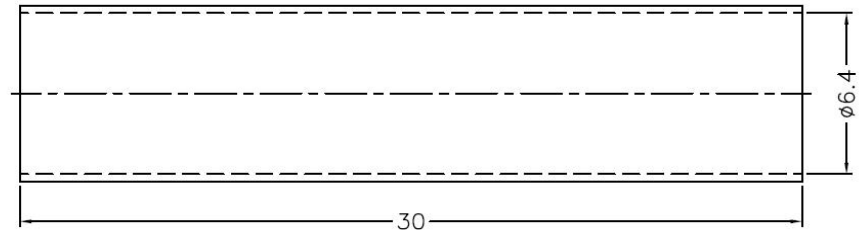
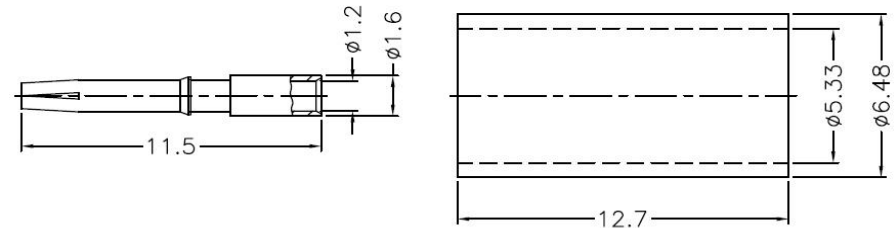
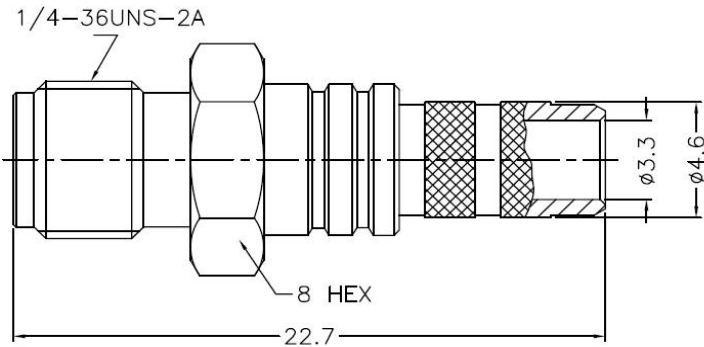


**PRODUCT: SMA FEMALE CRIMP, FOR AIRCELL 5, LMR-200**  
**PRODUCT CODE: E3751, Paratronic Oy**

Description	Material	Note	General information
Ferrule	Copper	1	Dimensions in millimeters (mm), unless otherwise specified.
Pin	Beryllium copper	2	RoHS compliant. Directive 2015/863 with exemption 6(c)
Insulator	Teflon	-	Note, finish, plating thickness in micro-inches, $\mu$ in (minimum):
Body	Brass	1	1. Thin gold over nickel (50) over copper (50)
Heat shrink	With glue	-	2. Gold (3) over nickel (50) over copper (50)
			Hex crimp size:
			Ferrule 5.41 mm / 0.213", pin to solder
			IP67 when mated, IP40 unmated



Version A > B, from batch W25/22, changed cable entry 3.15 > 3.3 mm



Title	Value
Drawing date	30.6.2022
Version	B
Website	www.paratronic.fi