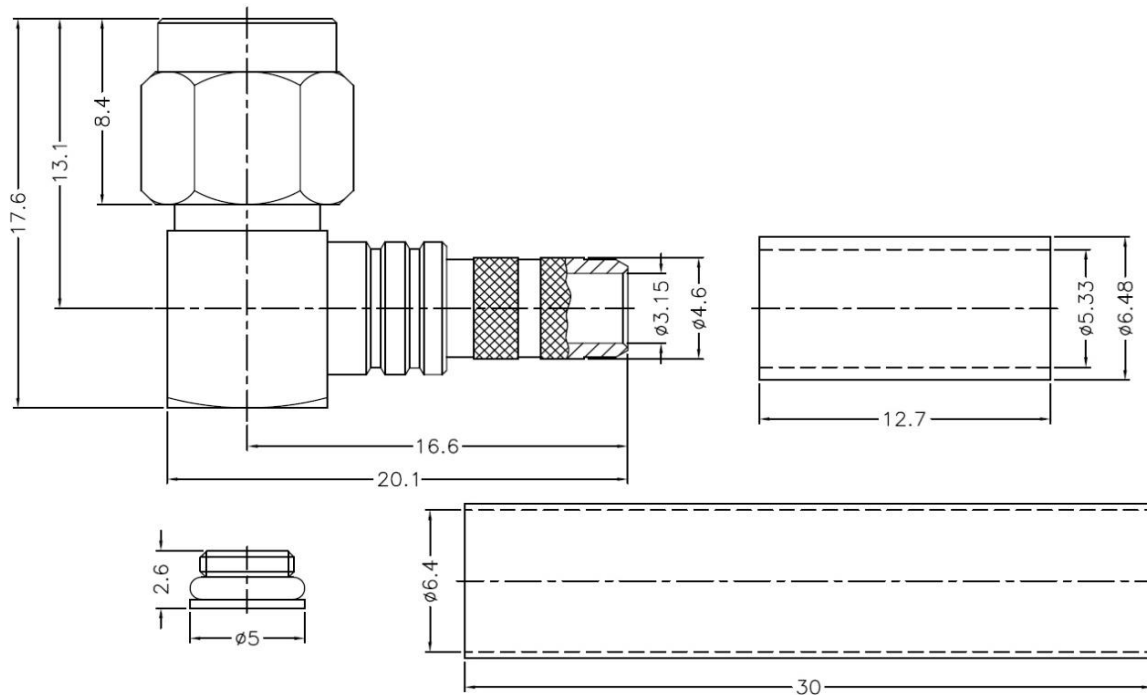
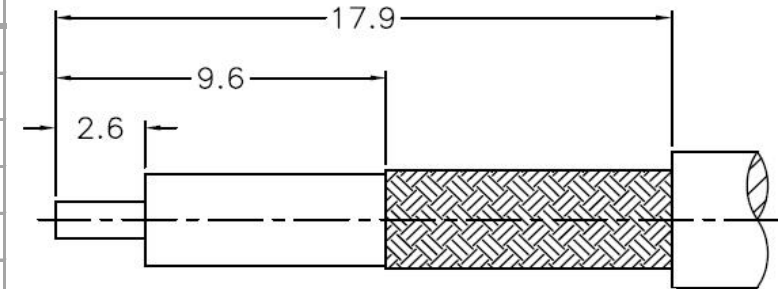


**PRODUCT: SMA MALE RIGHT ANGLE CRIMP, FOR AIRCELL 5, LMR-200**  
**PRODUCT CODE: E3752, Paratronic Oy**

Description	Material	Note	General information
Ferrule	Copper	1	Dimensions in millimeters (mm), unless otherwise specified.
Pin	Brass	2	RoHS compliant. Directive 2015/863 with exemption 6(c)
Insulator	Teflon	-	Note, finish, plating thickness in micro-inches, $\mu\text{in}$ (minimum):
Body	Brass	1	1. Thin gold over nickel (50) over copper (50)
Nut	Brass	1	2. Gold (3) over nickel (50) over copper (50)
Retainer ring	SUS 304	3	3. Passivated
Gasket	Silicone	-	Hex crimp size:
Cap	Brass	1	Ferrule 5.41 mm / 0.213", pin to solder
Cap gasket	NBR	-	
Heat shrink	With glue	-	IP67 when mated, IP40 unmated



Title	Value
Drawing date	30.6.2021
Version	A
Website	<a href="http://www.paratronic.fi">www.paratronic.fi</a>