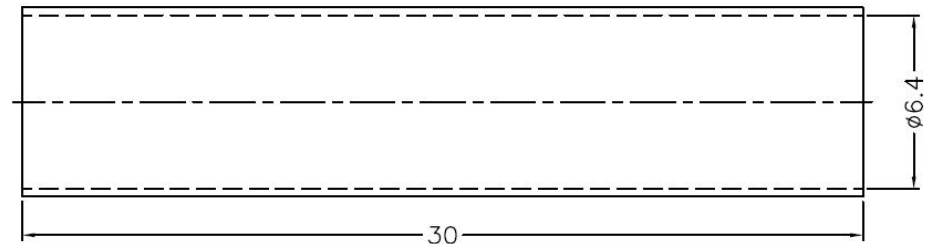
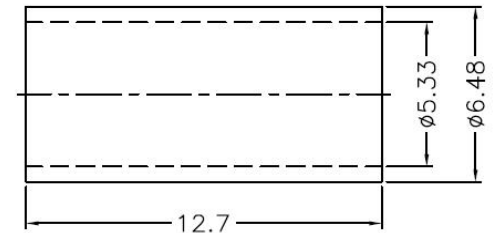
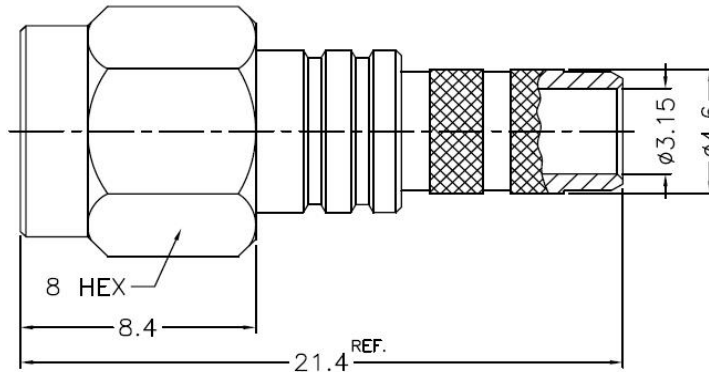
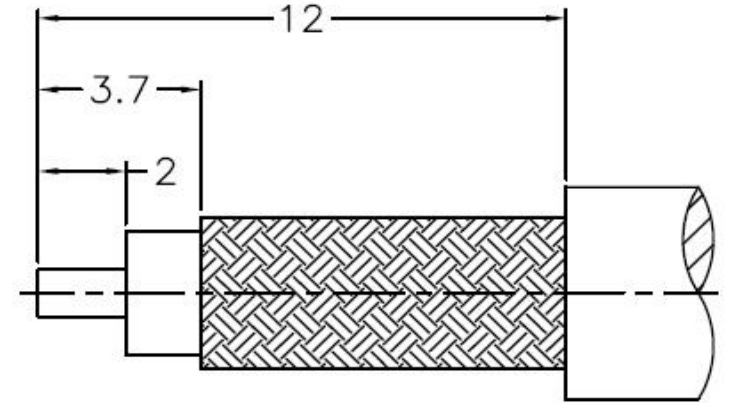


**PRODUCT: RP-SMA MALE CRIMP, FOR AIRCELL 5, LMR-200**  
**PRODUCT CODE: E3755, Paratronic Oy**

Description	Material	Note	General information
Ferrule	Copper	1	Dimensions in millimeters (mm), unless otherwise specified.  RoHS compliant. Directive 2015/863 with exemption 6(c)  Note, finish, plating thickness in micro-inches, $\mu$ in (minimum): 1. Thin gold over nickel (50) over copper (50) 2. Gold (3) over nickel (50) over copper (50) 3. Passivated  Hex crimp size: Ferrule 5.41 mm / 0.213", pin to solder IP67 when mated, IP40 unmated
Pin	Beryllium copper	2	
Insulator	Teflon	-	
Body	Brass	1	
Nut	Brass	1	
Retainer ring	SUS 304	3	
Gasket	Silicone	-	
Heat shrink	With glue	-	



Title	Value
Drawing date	30.6.2021
Version	A
Website	www.paratronic.fi