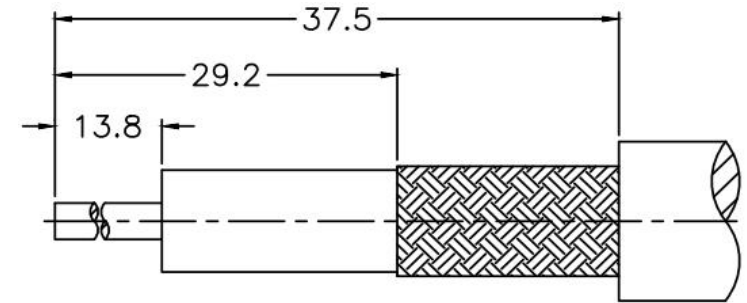
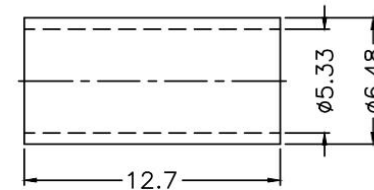
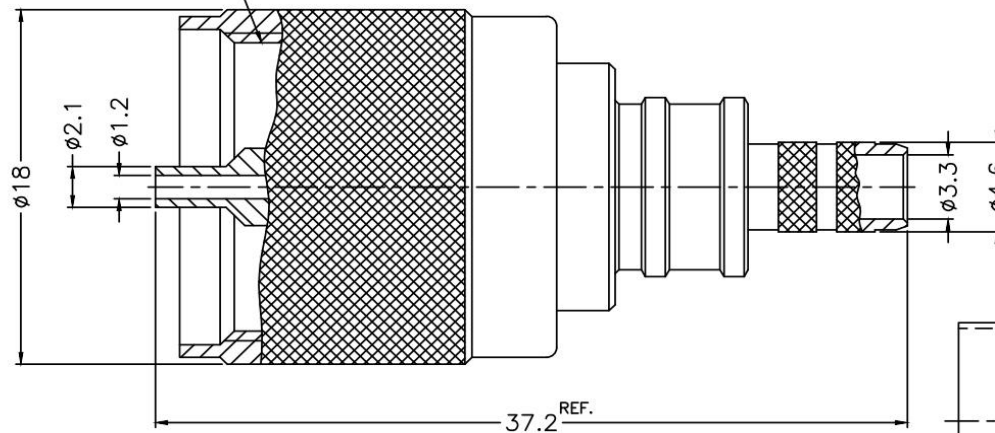


PRODUCT: UHF MALE CRIMP, STRAIGHT, FOR AIRCELL 5, LMR-200
PRODUCT CODE: E3762, Paratronic Oy

Description	Material	Note	General information
Ferrule	Copper	1	Dimensions in millimeters (mm), unless otherwise specified.
Pin	Brass	2	RoHS compliant. Directive 2015/863 with exemption 6(c)
Insulators	PTFE	-	Note, finish, plating thickness in micro-inches, μ in (minimum):
Body	Brass	1	1. Nickel (100) over copper (50)
Shell	Brass	1	2. Gold (3) over nickel (50) over copper (50)
Heat shrink	With glue	-	
			Hex crimp size:
			Ferrule 5.41 mm / 0.213", pin 1.72 mm / 0.068" or solder
			IP40 mated and unmated



5/8-24UNEF-2B



Title	Value
Drawing date	15.2.2022
Version	A
Website	www.paratronic.fi