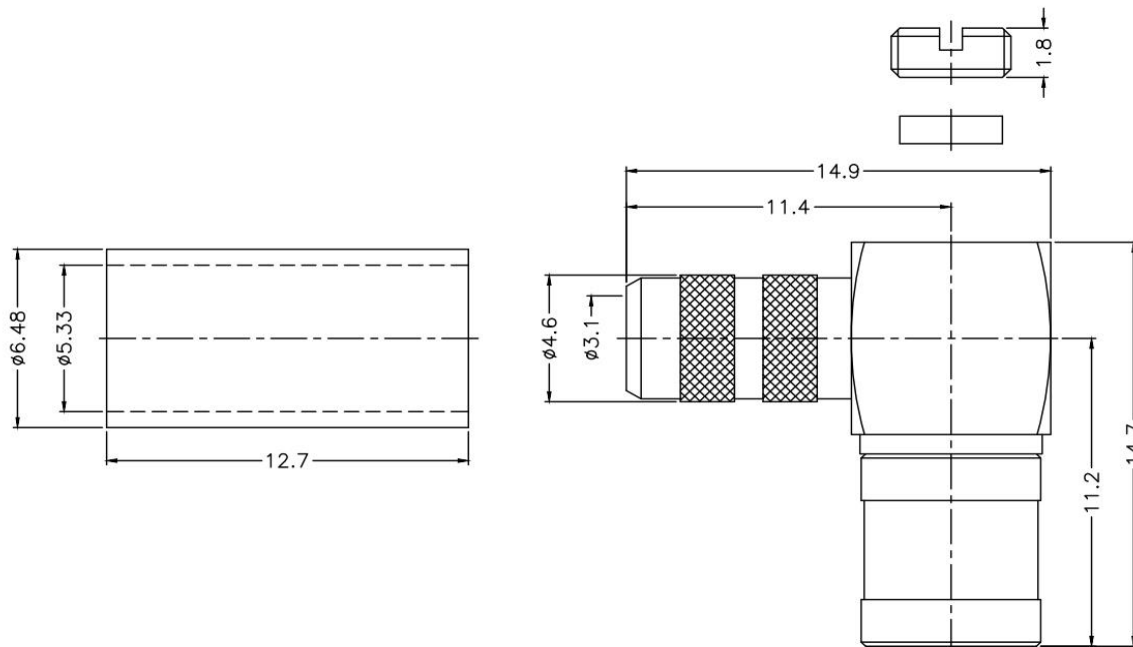
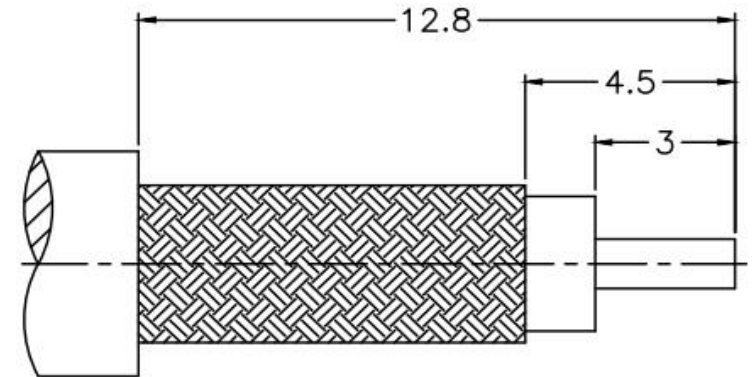


PRODUCT: SMB PLUG RIGHT ANGLE CRIMP, FOR RG-58, LMR-195
PRODUCT CODE: E3771, Paratronic Oy

Description	Material	Note	General information
Ferrule	Copper	1	Dimensions in millimeters (mm), unless otherwise specified.
Pin	Beryllium copper	2	
Body	Brass	1	RoHS compliant. Directive 2015/863 with exemption 6(c)
Insulator	Teflon	-	Note, finish, plating thickness in micro-inches, μin (minimum):
Cap	Brass	1	1. Nickel (100) over copper (50)
Cap insulator	PE	-	2. Gold (3) over nickel (50) over copper (50)
Retainer ring	Beryllium copper	-	Hex crimp size:
			Ferrule 5.41 mm / 0.213", pin to solder
			IP40 mated and unmated



Title	Value
Drawing date	31.12.2021
Version	A
Website	www.paratronic.fi