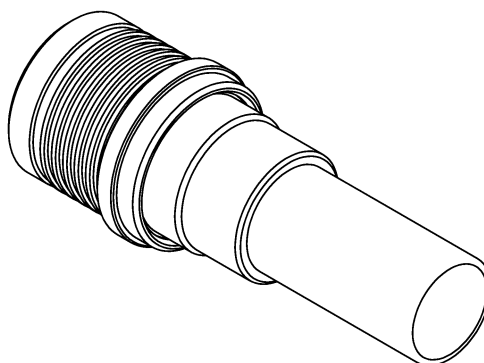
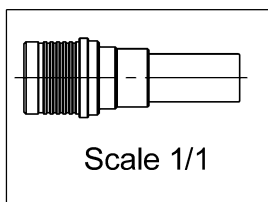
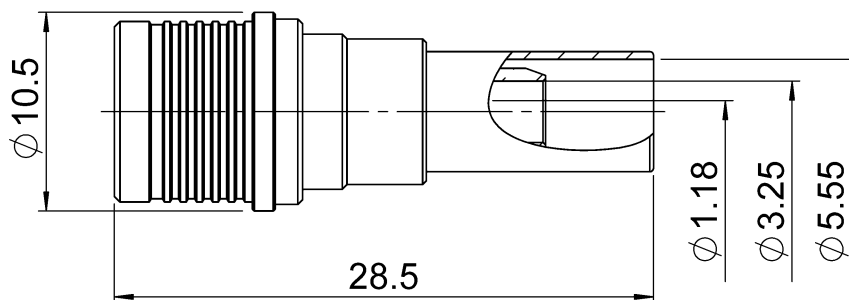
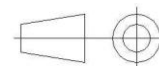


PAGE 1/2	ISSUE 14-07-16C	SERIES <b>QMA</b>	PART NUMBER <b>R123096110</b>
----------	-----------------	-------------------	-------------------------------



All dimensions are in mm.



COMPONENTS	MATERIALS	PLATING ( $\mu\text{m}$ )
Body	<b>BRASS</b>	<b>BBR</b>
Center contact	<b>BRASS</b>	<b>GOLD OVER COPPER</b>
Outer contact	<b>BRONZE</b>	<b>BBR</b>
Insulator	<b>PTFE</b>	
Gasket		
Others parts	<b>BRASS</b>	<b>BBR</b>
-	-	-
-	-	-

PAGE 2/2	ISSUE 14-07-16C	SERIES QMA	PART NUMBER R123096110
----------	-----------------	------------	------------------------

### PACKAGING

Standard	Unit	Other
100	Contact us	Contact us

### ELECTRICAL CHARACTERISTICS

Impedance	<b>50</b>	Ω
Frequency	<b>0-6</b>	GHz
VSWR	<b>1.1 + 0.0500</b>	x F(GHz) Maxi
Insertion loss	<b>0.75</b>	√F(GHz) dB Maxi
RF leakage	<b>80</b>	- F(GHz) dB Maxi
Voltage rating	<b>335</b>	Veff Maxi
Dielectric withstanding voltage	<b>1000</b>	Veff mini
Insulation resistance	<b>5000</b>	MΩ mini

### MECHANICAL CHARACTERISTICS

Center contact retention		
Axial force – Mating End	<b>18</b>	N mini
Axial force – Opposite end	<b>18</b>	N mini
Torque	<b>NA</b>	N.cm mini
Recommended torque		
Mating	<b>NA</b>	N.cm
Panel nut	<b>NA</b>	N.cm
Clamp nut	<b>NA</b>	N.cm
A/F clamp nut	<b>0.0000</b>	mm
Mating life	<b>100</b>	Cycles mini
Weight	<b>6.5340</b>	g

### ENVIRONMENTAL

Operating temperature	<b>-40/+80</b>	°C
Hermetic seal	<b>NA</b>	Atm.cm3/s
Panel leakage	<b>NA</b>	

### SPECIFICATION

### CABLE ASSEMBLY

Stripping	a	b	c	d	e	f
mm	<b>4</b>	<b>6.3</b>	<b>11.1</b>	<b>0</b>	<b>7.1</b>	<b>0</b>

Assembly instruction: **Crimp 03\***

Recommended cable(s)  
**LMR 200**  
**AEP-200FR**

Characteristics indicated on this data sheet are those that can be achieved with the highest performance cable. Intrinsic limitations of the cable may diminish the performance of the assembly

Cable retention

- pull off	<b>220</b>	N mini
- torque	<b>NA</b>	N.cm

### TOOLING

Part Number	Description	Hexagon
R282223000	CRIMPING TOOL	5.41
R282281000	CRIMPING TOOL	
R282967013	POSITIONER FOR CRIMPING TOOL	2x4 POS. 6

### OTHER CHARACTERISTICS

**\*prior to step two of Crimp 03, slide disk insulator onto center conductor, and bottom contact on disk insulator**