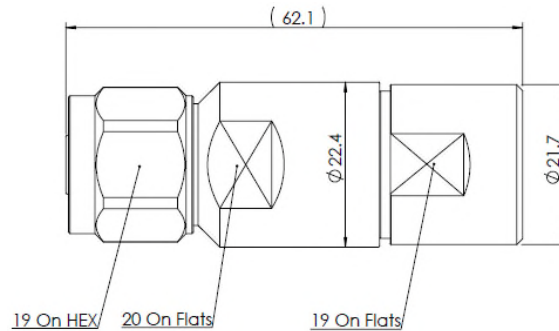


PRODUCT CODE: NKC 1012300.12

N Male O-ring connectors for RF, RFA and RFX 1/2"-50 cables



Dimensions in mm

TECHNICAL SPECIFICATIONS

Electrical Specifications

Impedance	50 Ω
Frequency range	DC - 3 GHz
VSWR	≤1.10
PIM3	≤-160dBc
Insertion loss (1GHz)	<0.05
Contact resistance	
inner contact	< 0.8 mΩ
outer contact	< 0.2 mΩ
Insulation resistance	> 10 GΩ
Power rating	0.3 KW@1GHz
Working voltage	< 2 kVeff/50 Hz

Mechanical Specifications

Weight [g]	85 g
Materials	
Spring contact	QBe2, Ag5 plated
Other metal parts	Brass, SnZn or Cu2Ni5 plated
Insulators	PTFE
Gaskets	Silicon
Coupling Torque	1.7 Nm
Durability (mating cycles)	> 500
Standards	
Immersion test, mated connectors	IP68, IEC 529:1989, EN 60529
Mating interface	IEC 60169-16
Installation instructions	AFA7-11
Product marking	AFA7-11